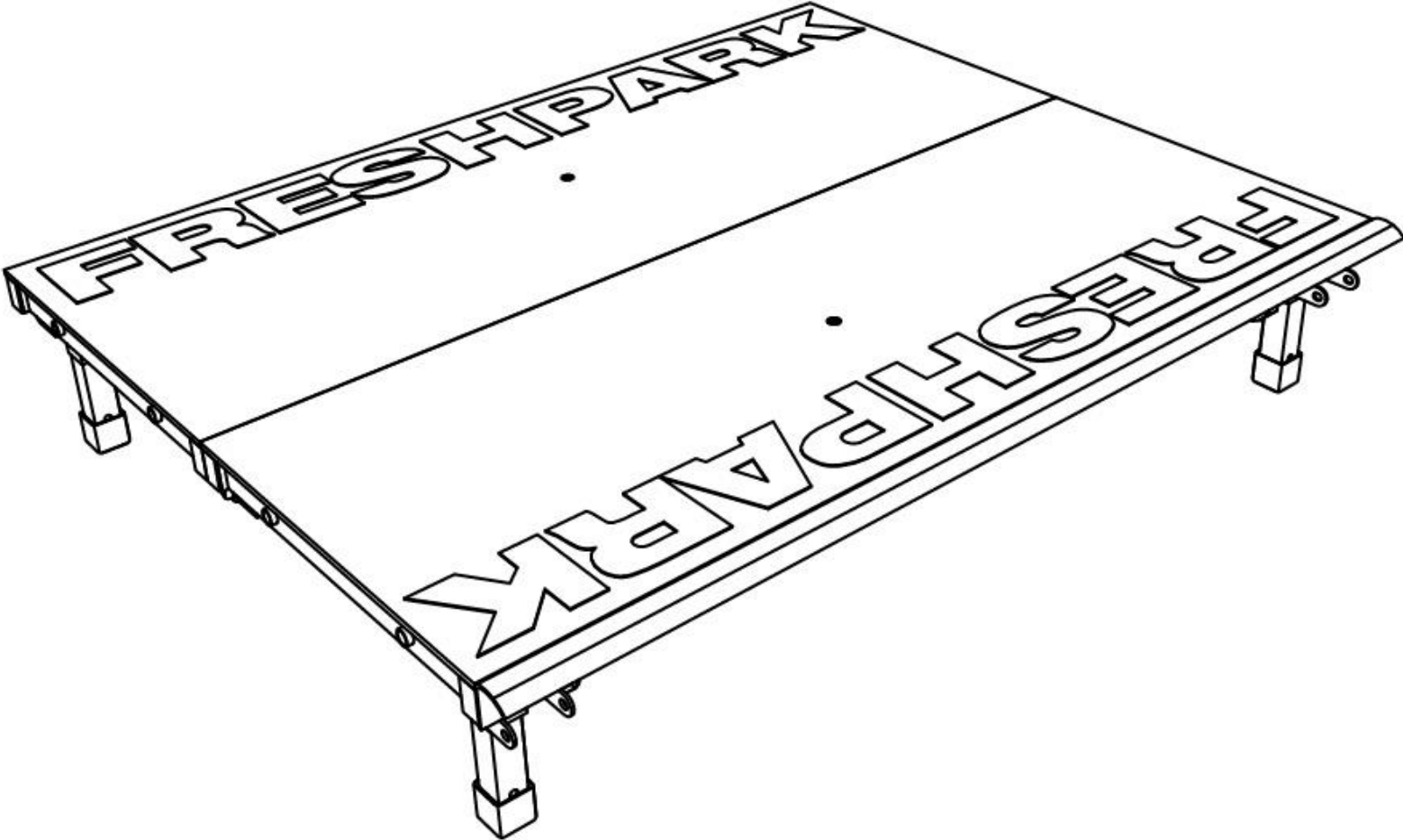


FUNBOX INSTRUCTIONS

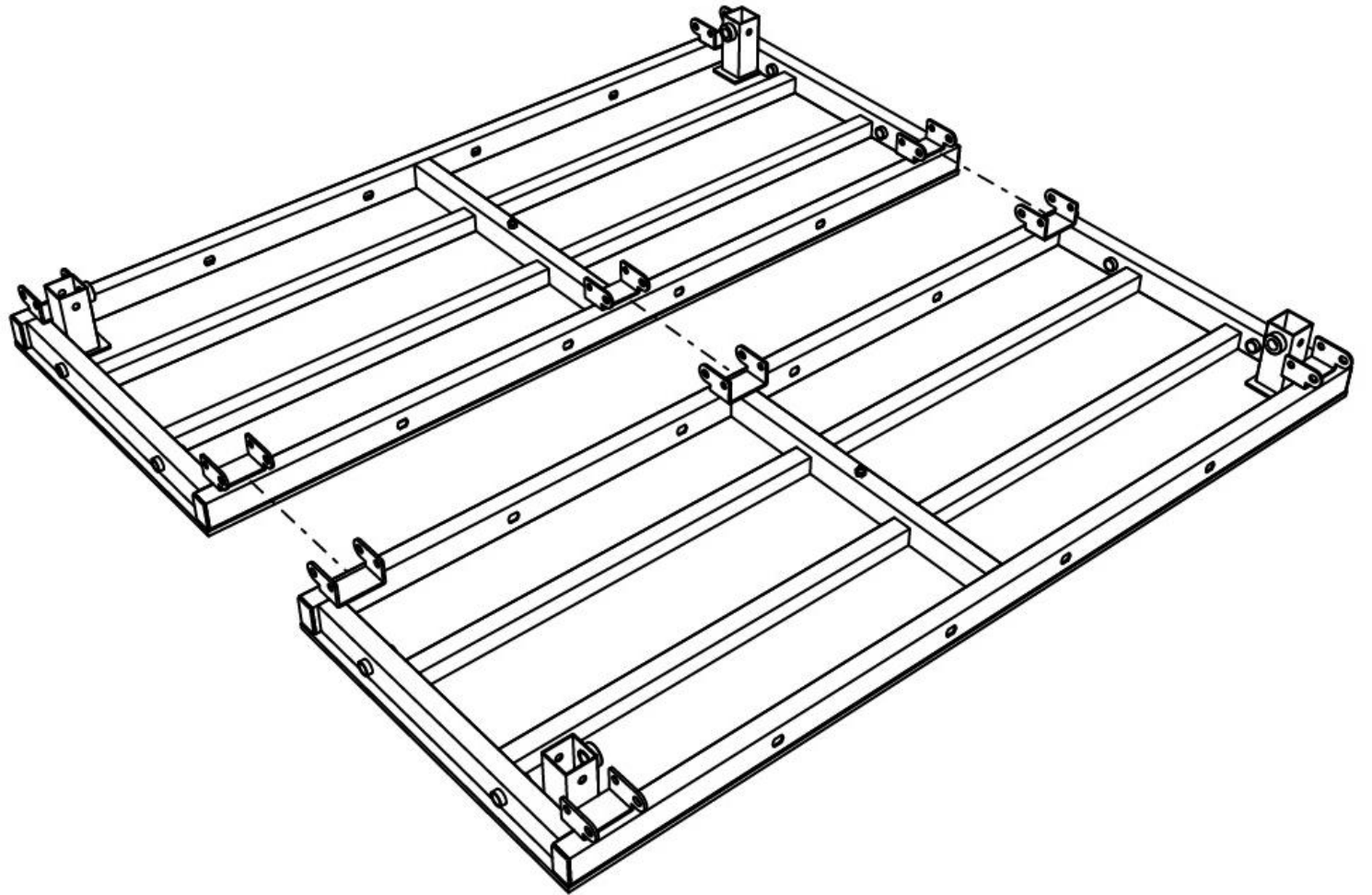


ALIGNING PANELS

STEP 1

Align the two panels with the hinges together

Align the panels so the edges of panels are flush with each other



BOLTING HINGES

STEP 2

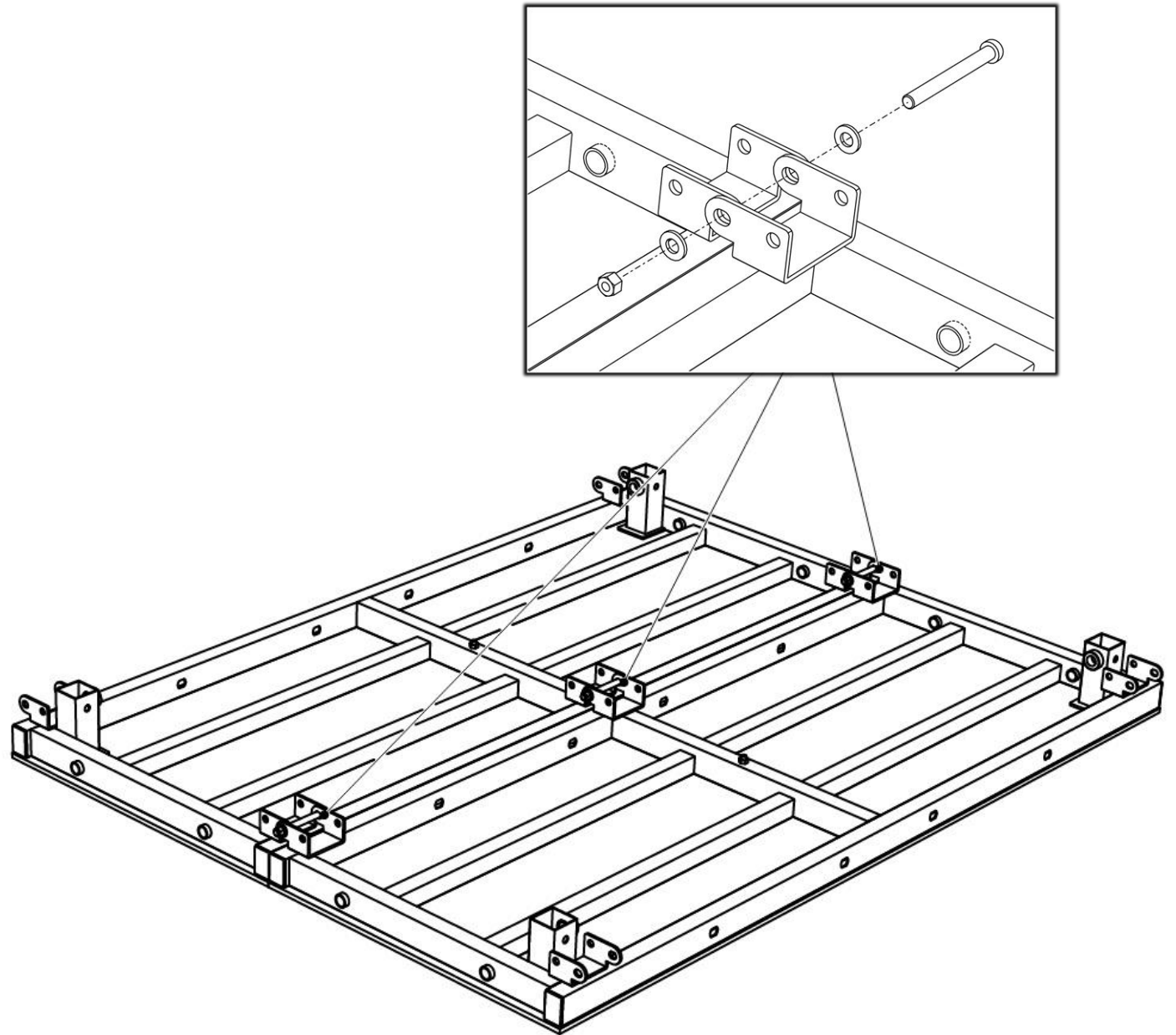
Bolt together the panels using the 3" bolts provided on the 3 hinges

Place a small washer on the 3" bolt and insert it through both hinges

Follow it with a small washer and a lock nut to tighten the hinges together

Caution:

Do not tighten the bolts too tight to allow the hinges to freely move



ATTACHING COPING

STEP 3

Place the coping on the flat side of the funbox so the curved piece will be on the top of the ramp as shown

Align the 4 holes in the coping with the 4 holes in the tubing of the panel

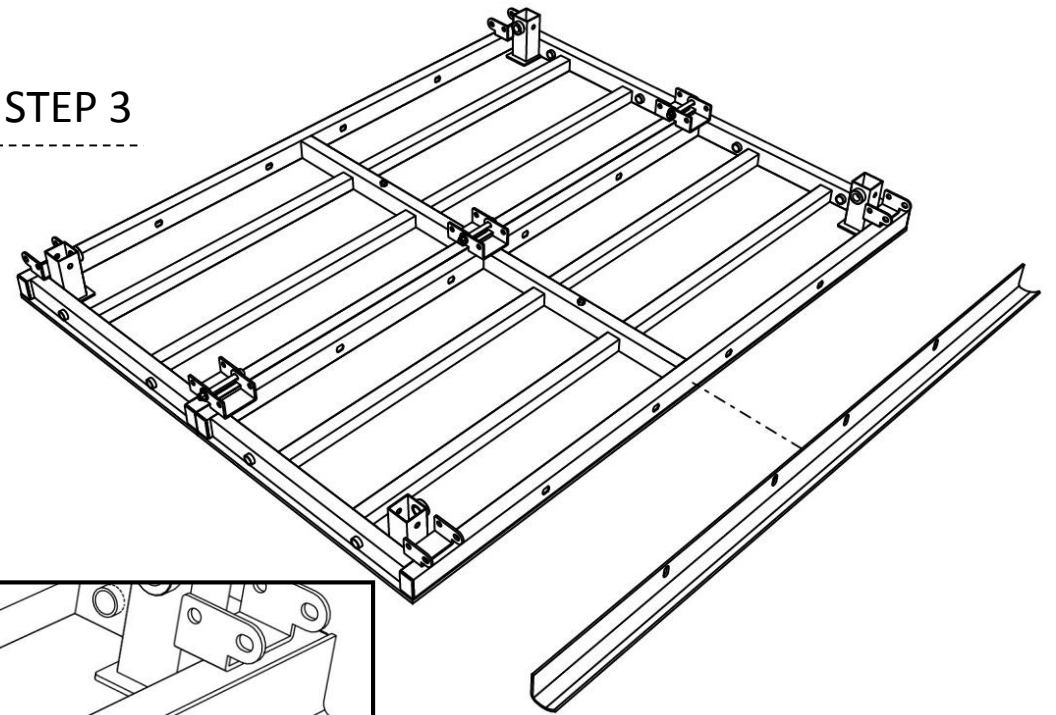
STEP 4

Use the 2" bolts to attach the coping to the funbox

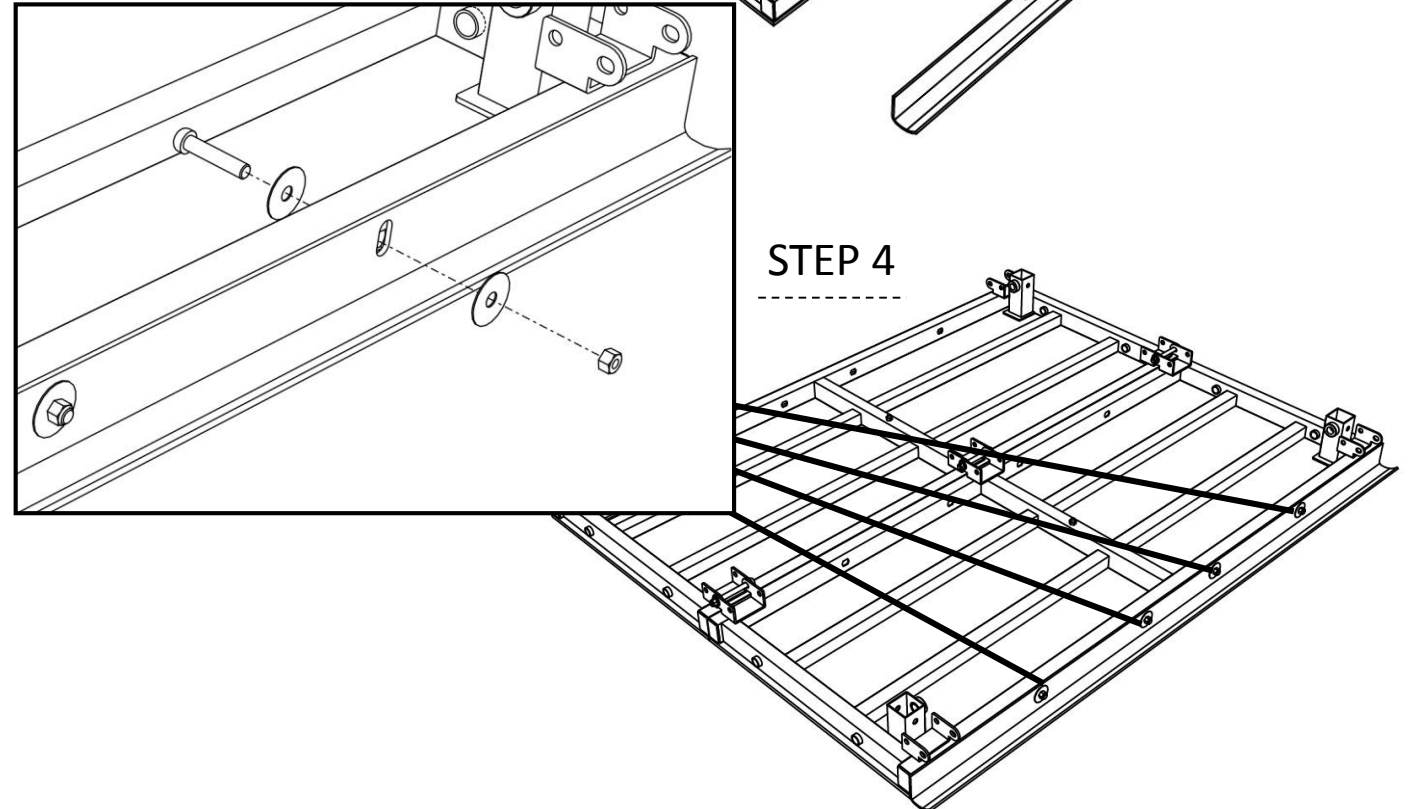
Place a big washer onto the 2" bolt and insert it through the tubing and coping

Follow it with a big washer and a lock nut to tighten the coping to the funbox

STEP 3



STEP 4



INSERTING LEGS

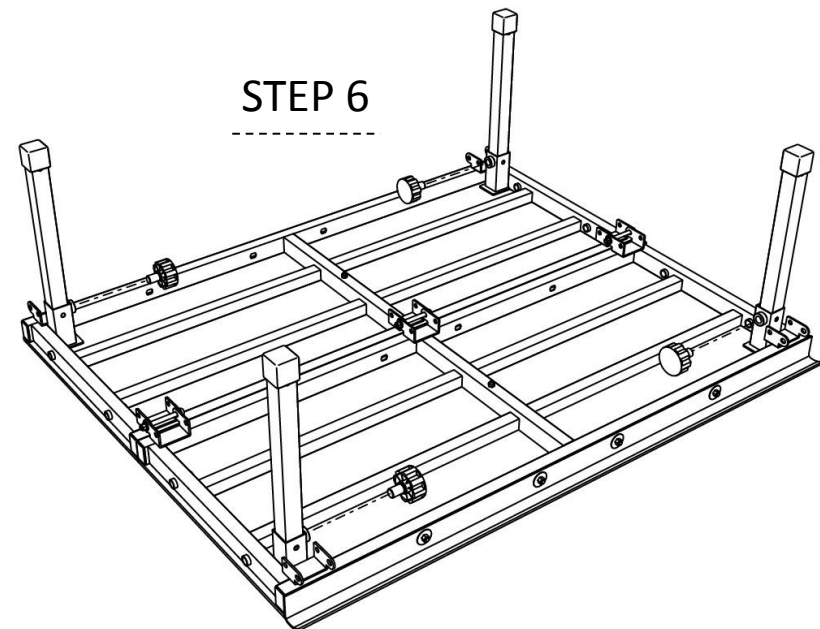
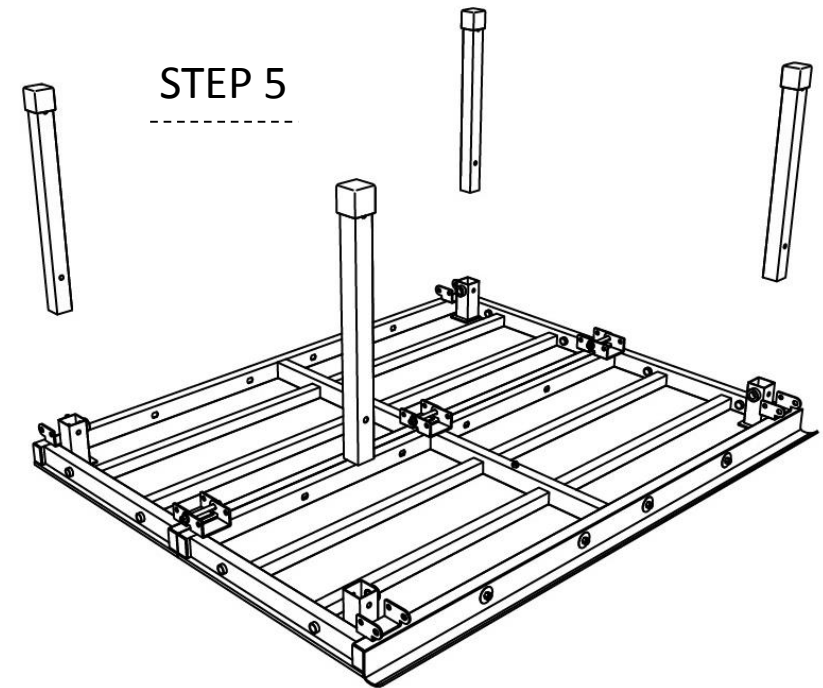
STEP 5

Insert the desired height legs you want to use into the 4 receivers of the funbox

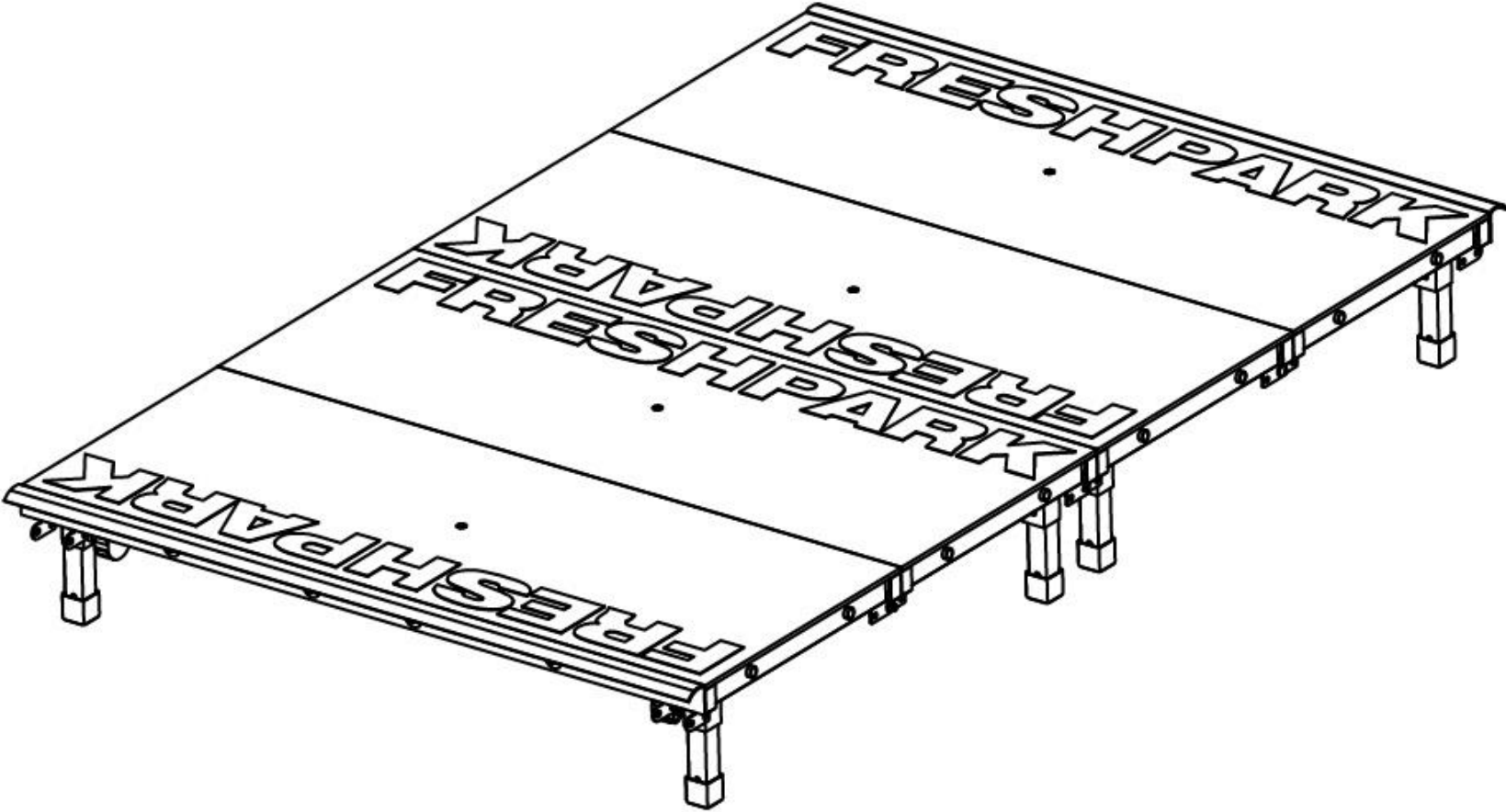
STEP 6

Use the 4 knobs provided to screw into the receivers to lock the legs into place

Flip the funbox over onto its legs when they are secure



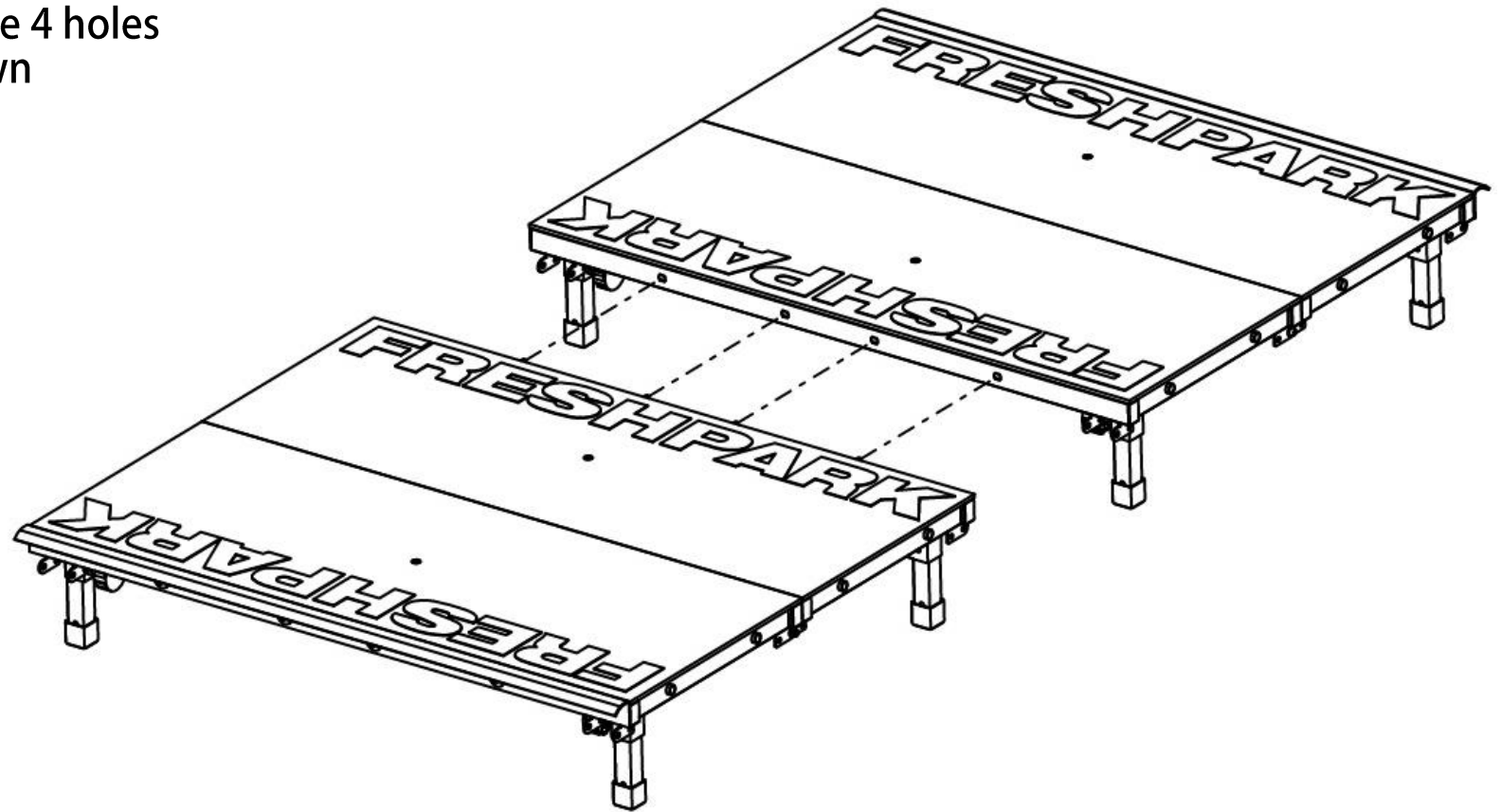
LINKING FUNBOX



ALIGNING FUNBOXES

STEP 1

Align the two funboxes with the 4 holes on the tubing together as shown

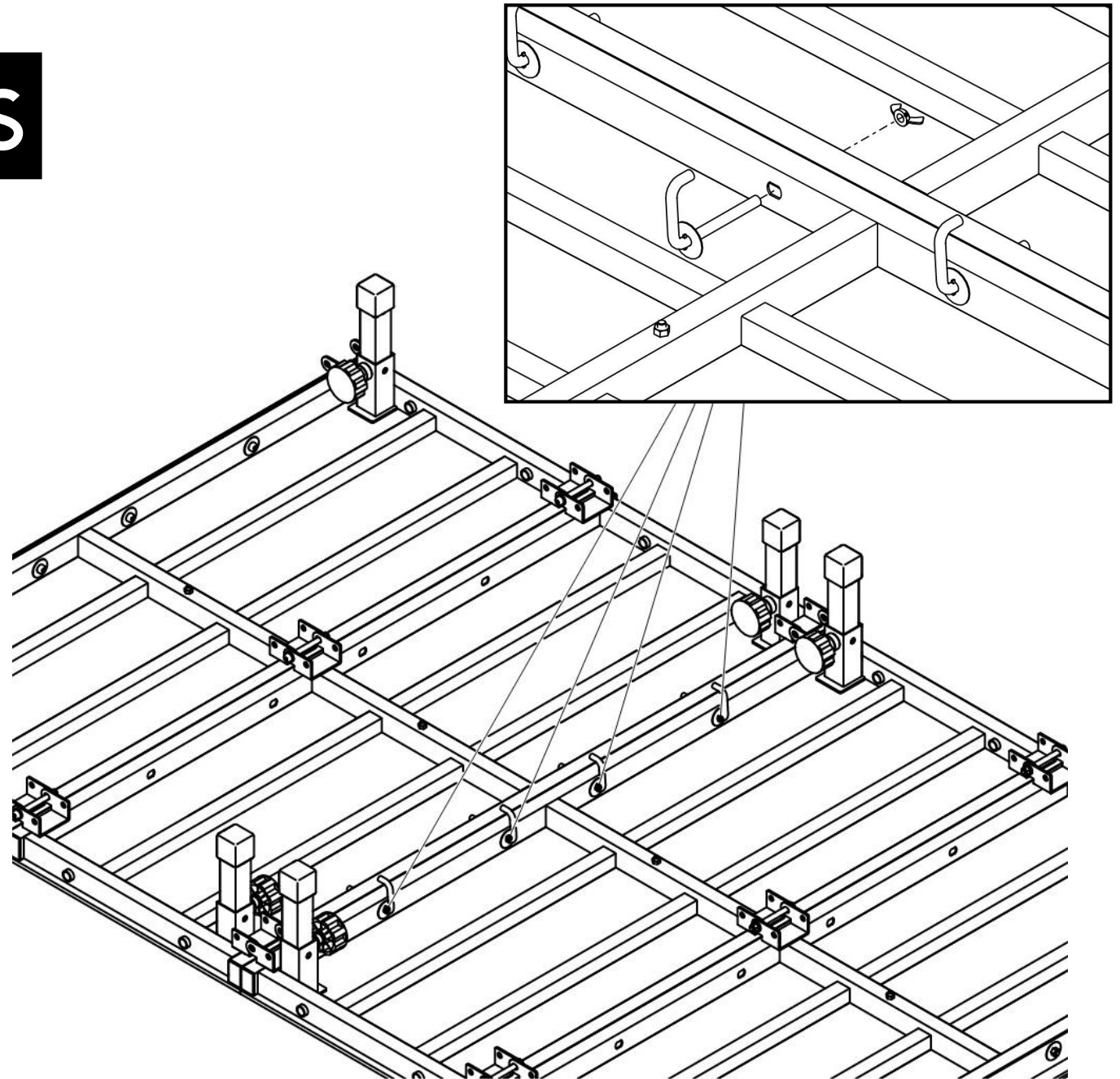


BOLTING FUNBOXES

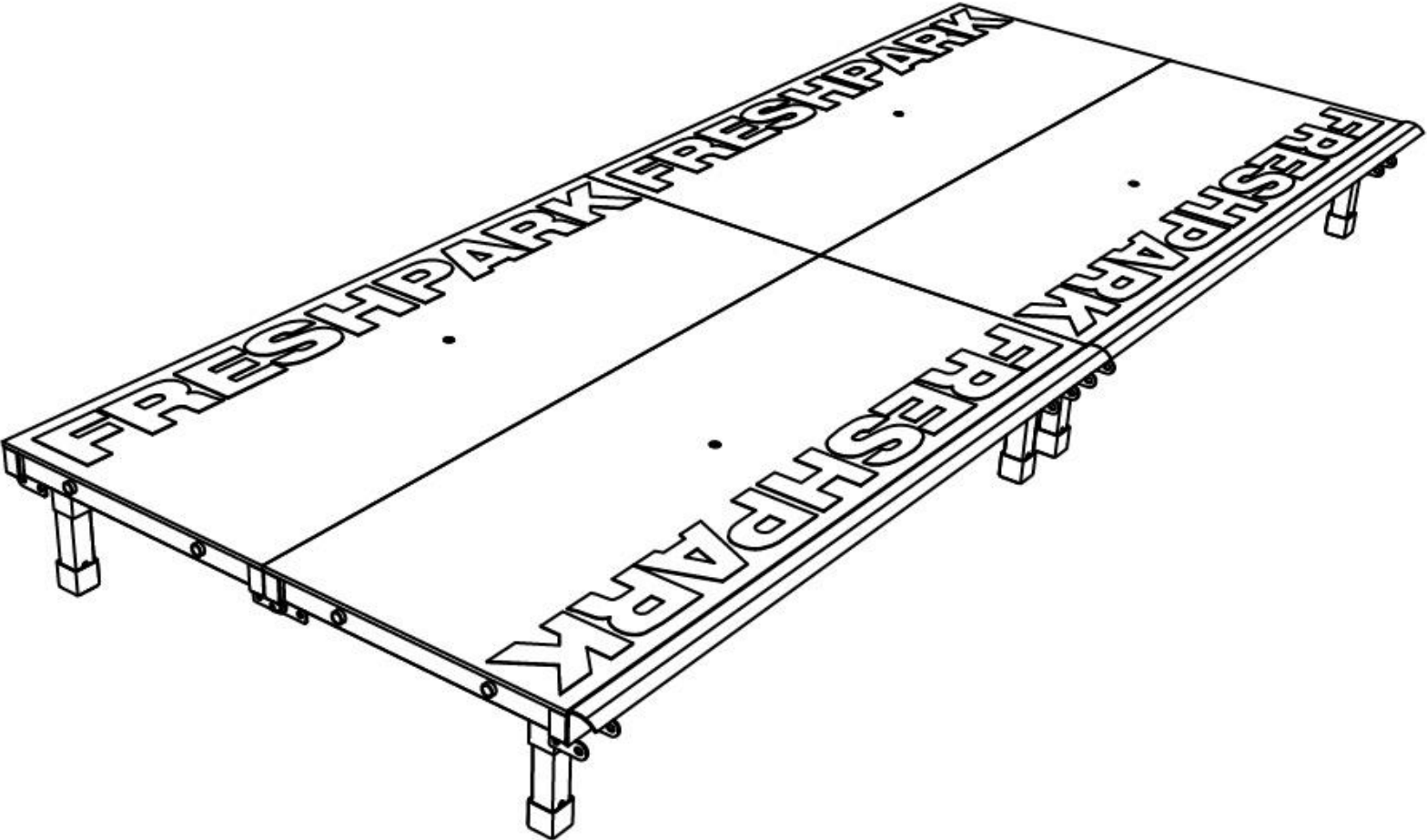
STEP 2

Bolt the funboxes together using J-bolts on each hole

Place a big washer on a J-bolt and slide it through both tubings and use a wing nut on the other side to tighten the funboxes together



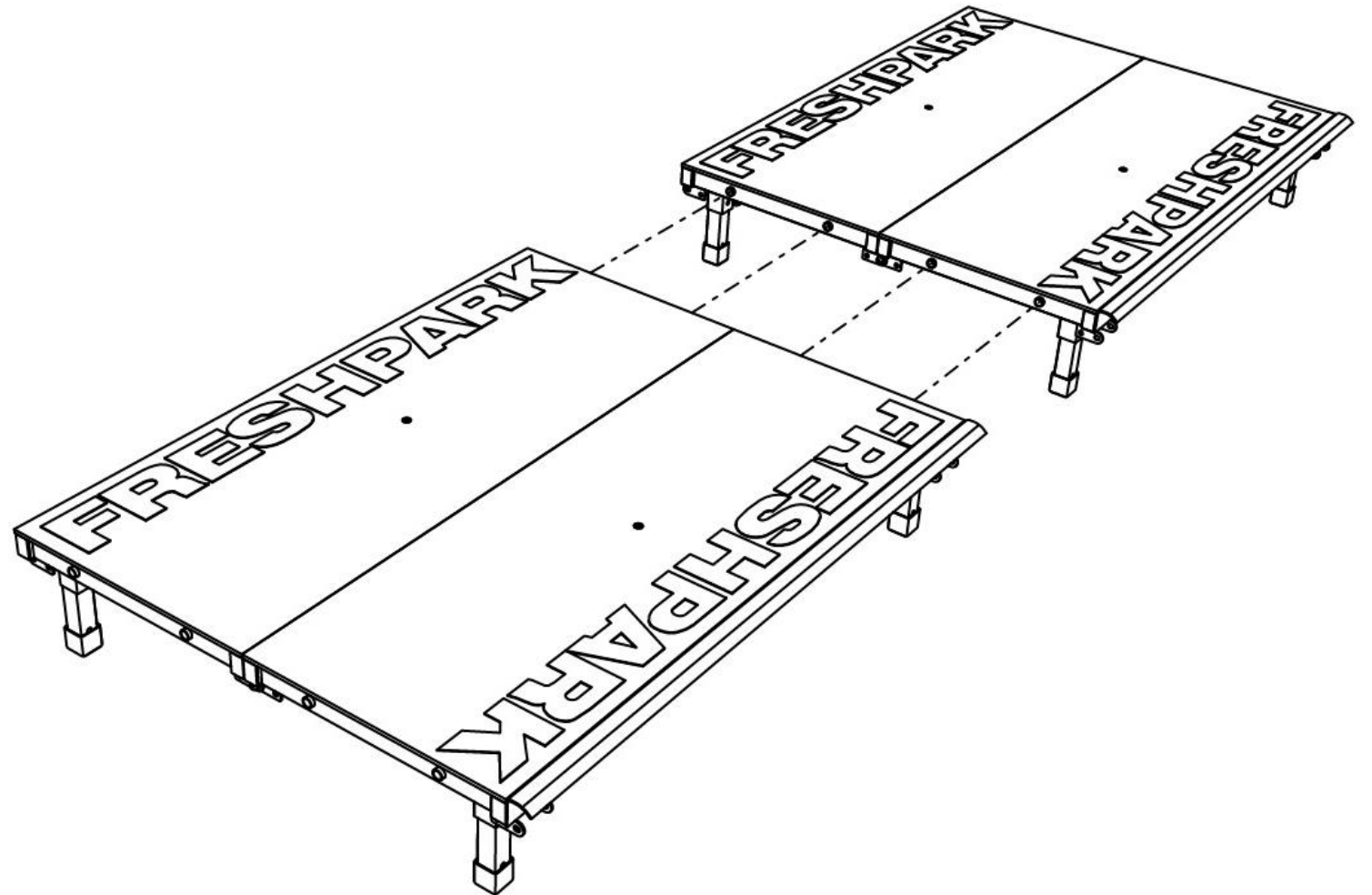
LINKING FUNBOX



ALIGNING FUNBOXES

STEP 1

Align the two funboxes with the 4 tubes on the sides of the funboxes together as shown

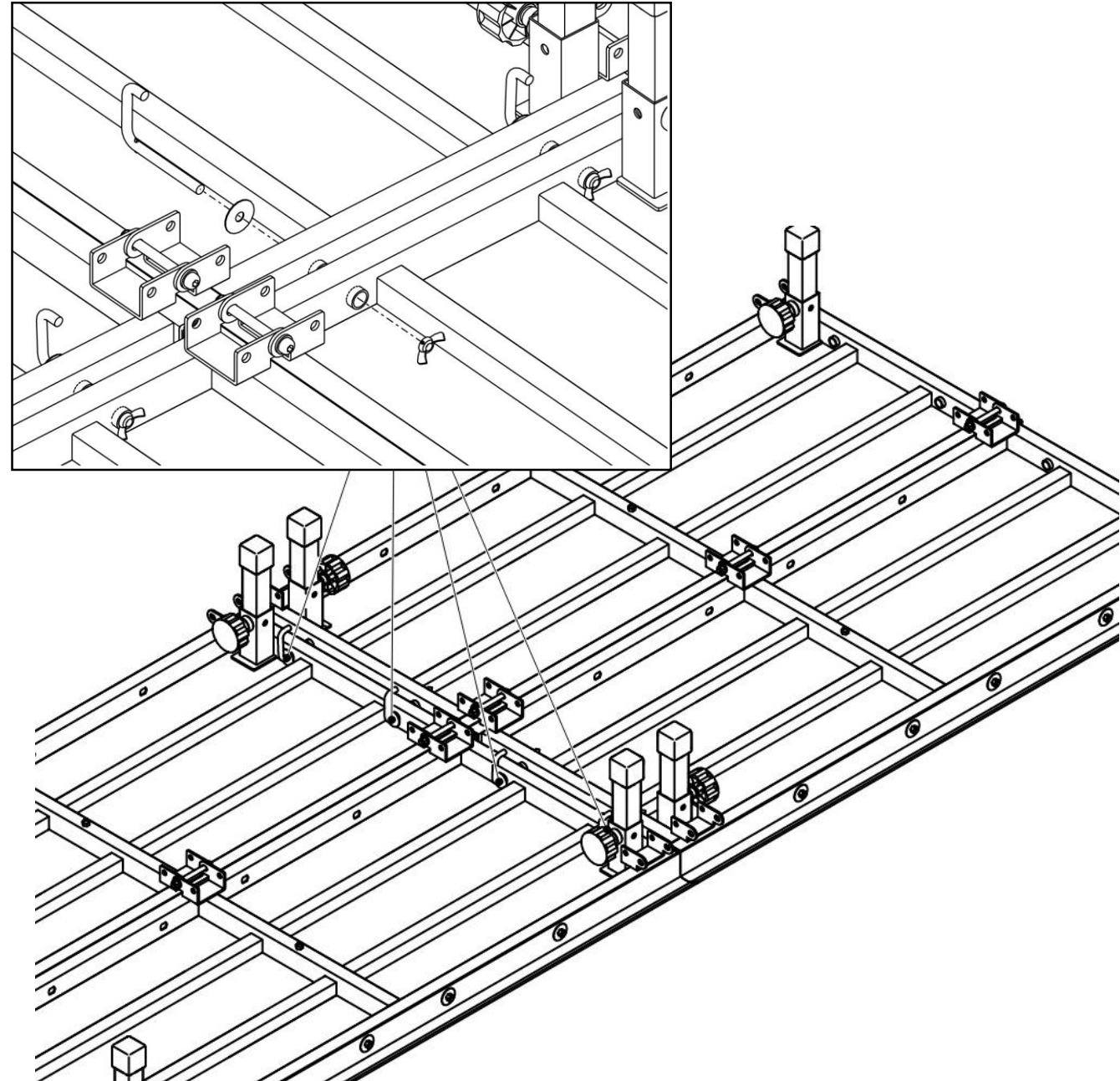


BOLTING FUNBOXES

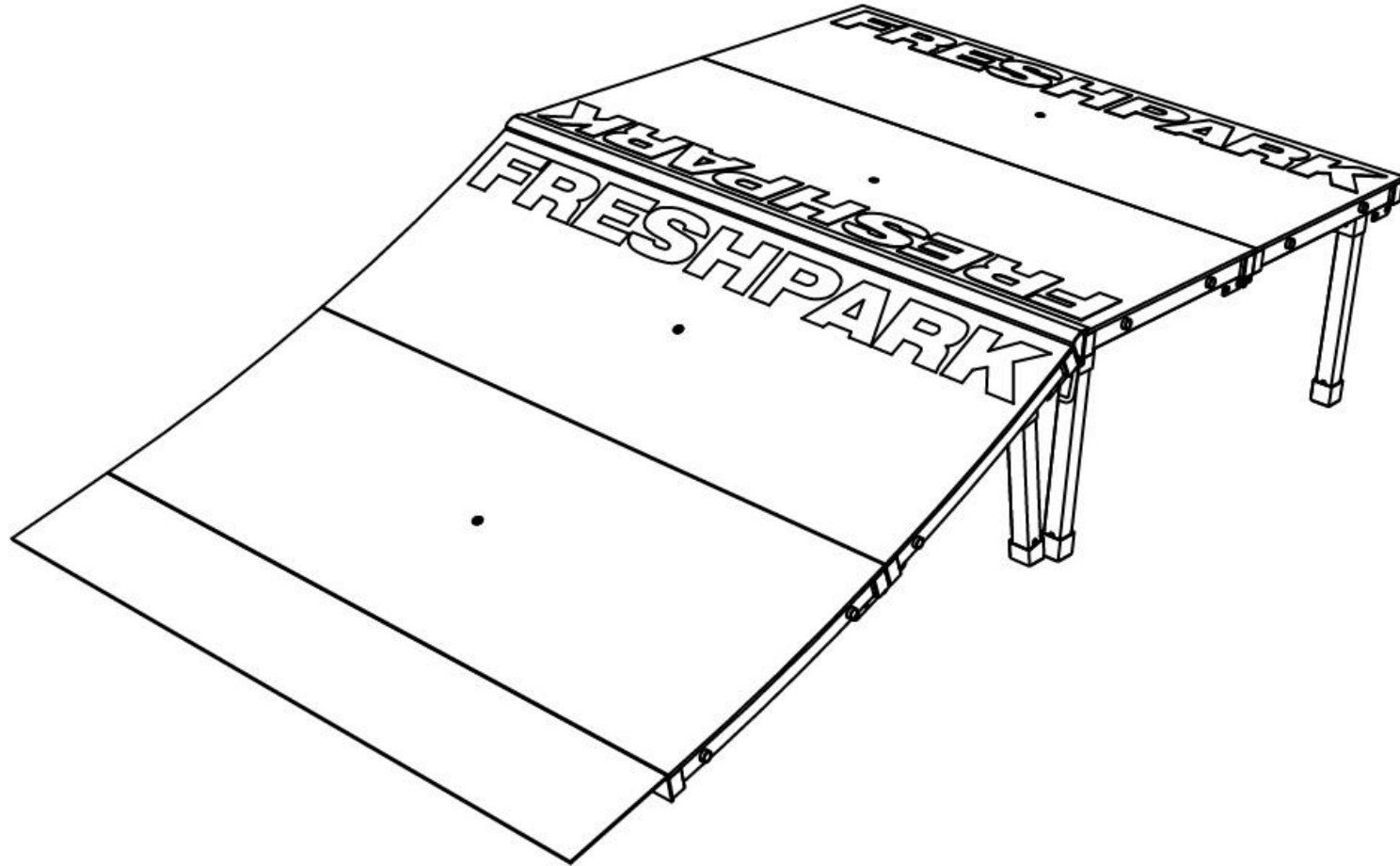
STEP 2

Bolt the funboxes together using J-bolts on each tube

Place a big washer on a J-bolt and slide it through both tubes and use a wing nut on the other side to tighten the funboxes together



LINKING FUNBOX WITH LAUNCH RAMP



ALIGNING RAMPS

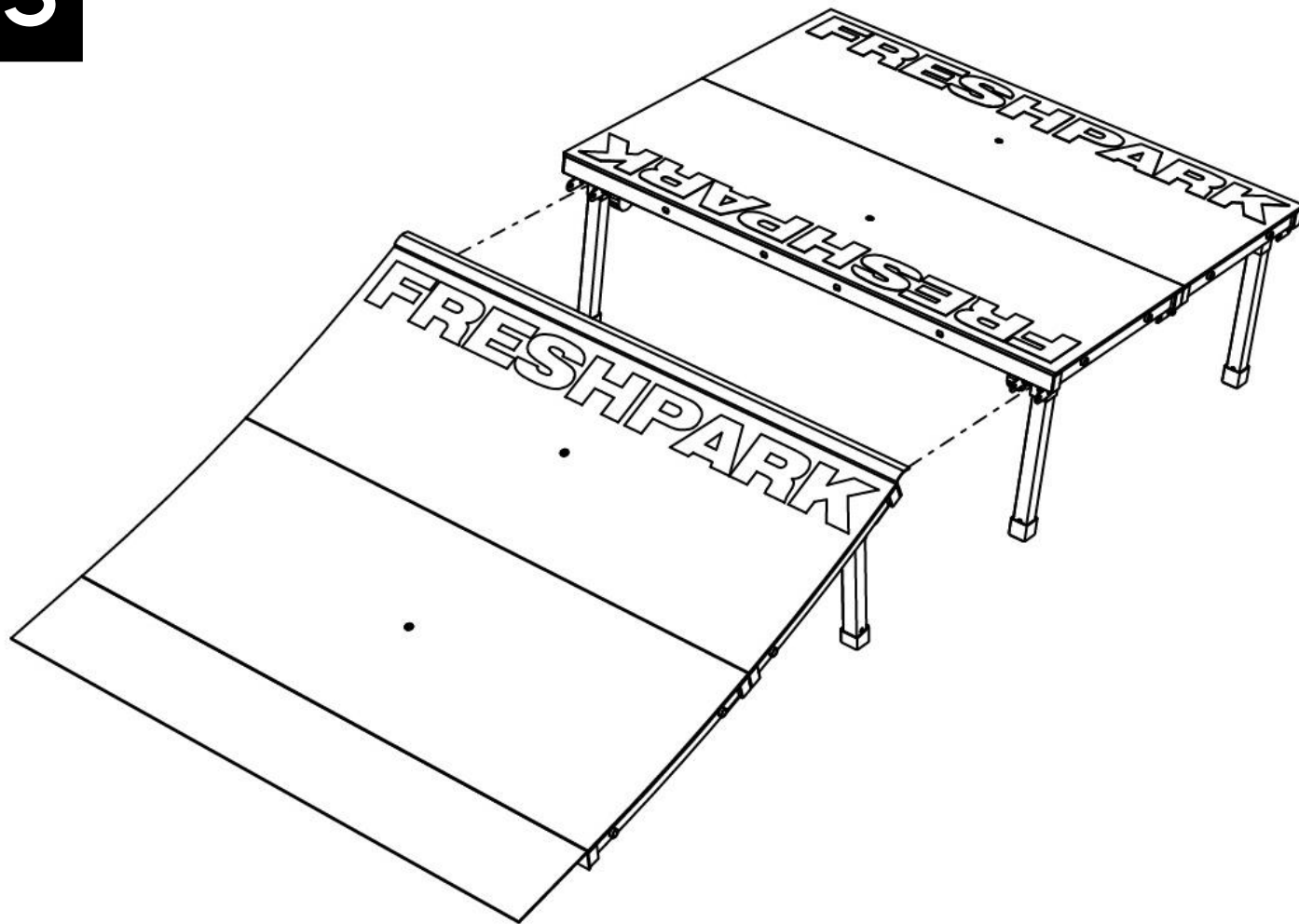
STEP 1

Align the two ramps together so the hinges are facing each other

Bring them together so the hinges on each side meet

Align the hinges so the sides of the ramp are flush with each other

Place the coping of the launch ramp onto the coping of the funbox or align the launch ramps coping so it is flush with the top of the funbox

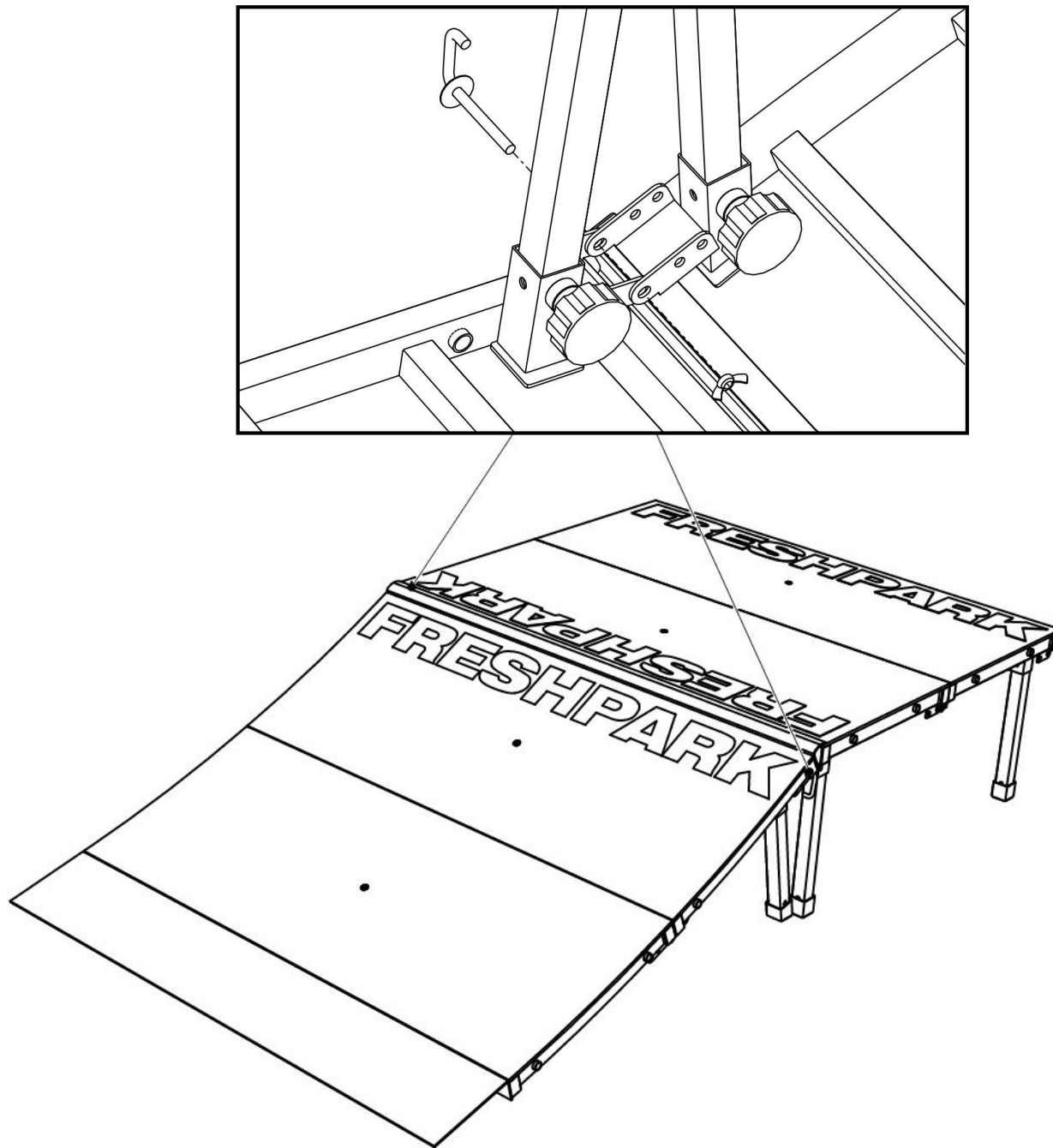


BOLTING RAMPS

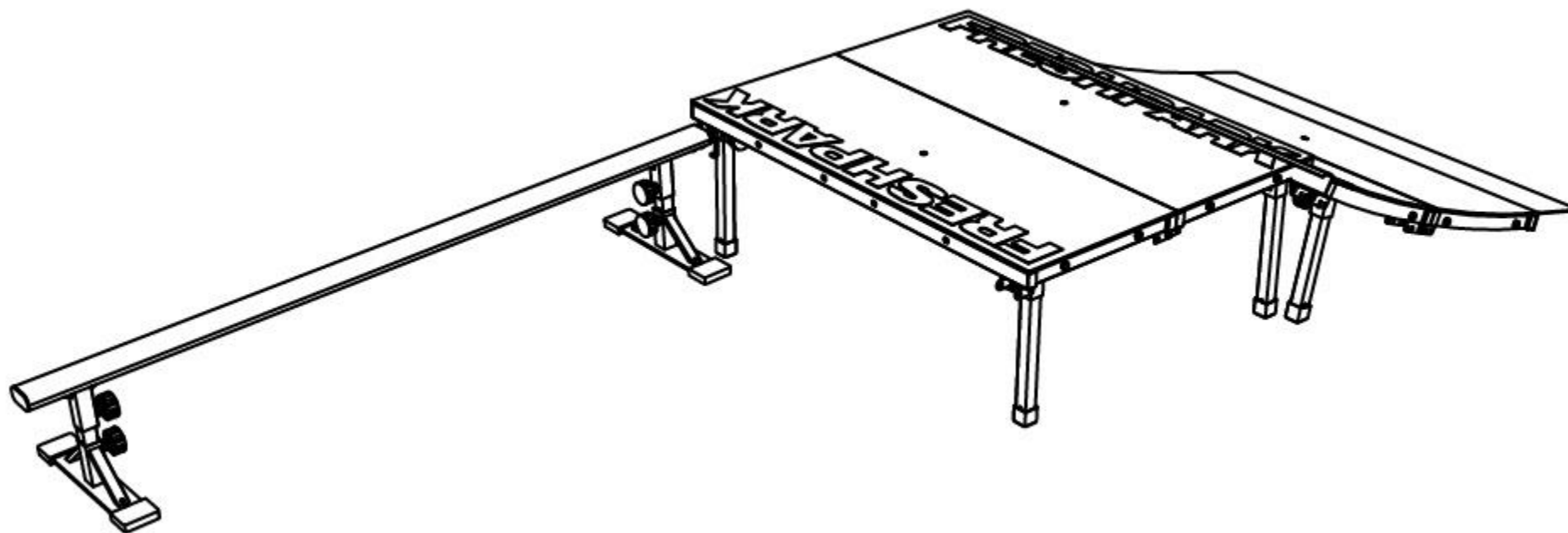
STEP 2

Bolt the ramps together using J-bolts on both hinges

Place a big washer on a J-bolt and slide it through both hinges and use a wing nut on the other side to tighten the ramps together



LINKING GRIND RAIL WITH FUNBOX



ATTATCHING HINGE

STEP 1

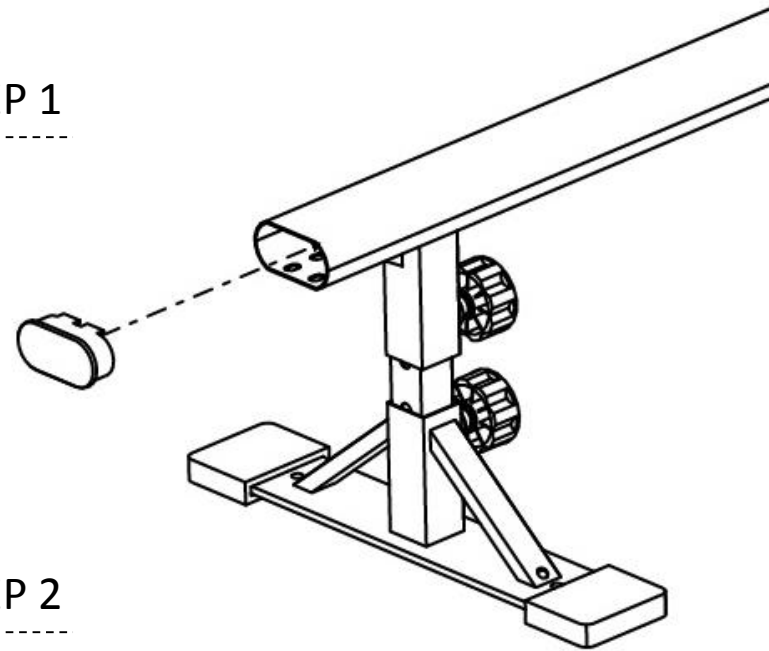
Take off an end cap off of each grind rail to expose the holes

Step 2

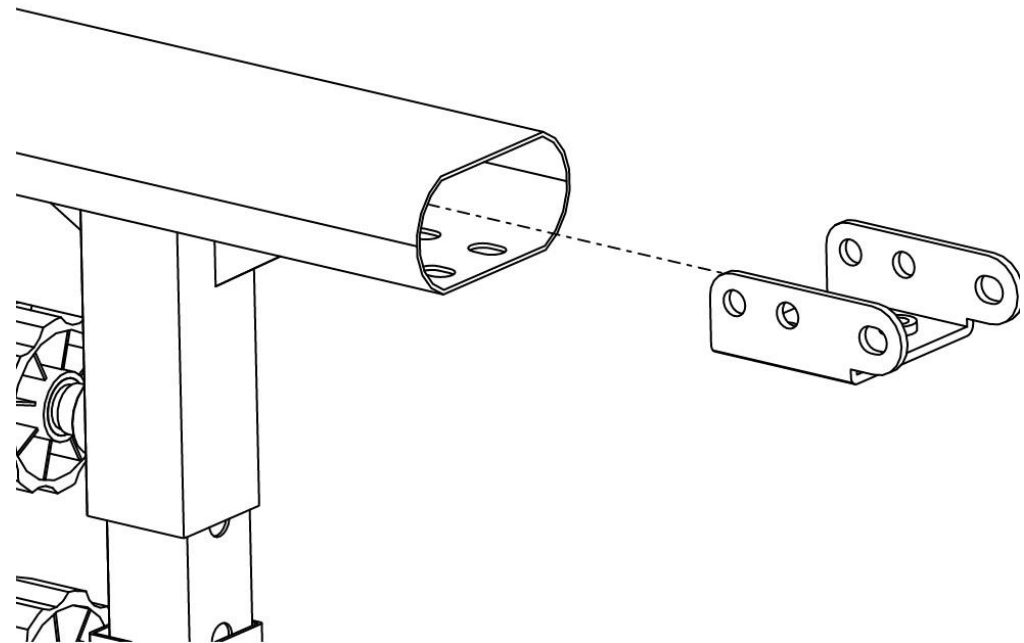
Insert the hinge into one of the grind rails

Align the first 2 holes in the hinge with the first 2 holes in the rail

STEP 1



STEP 2

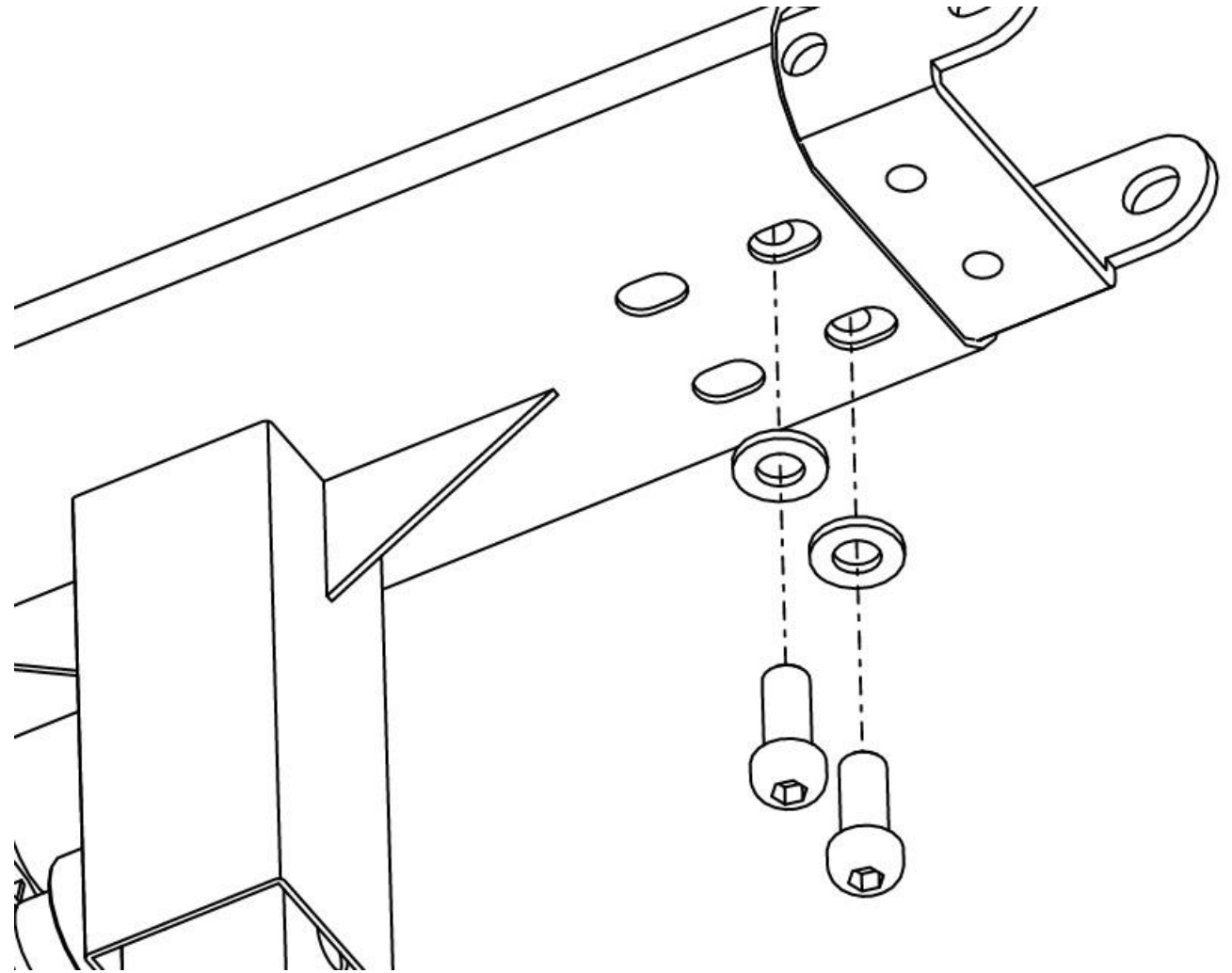


BOLTING HINGE

STEP 3

Bolt the hinge onto the rail at the first two holes with the washers and bolts provided

Place a washer on each bolt and screw each one into the threads of the hinge



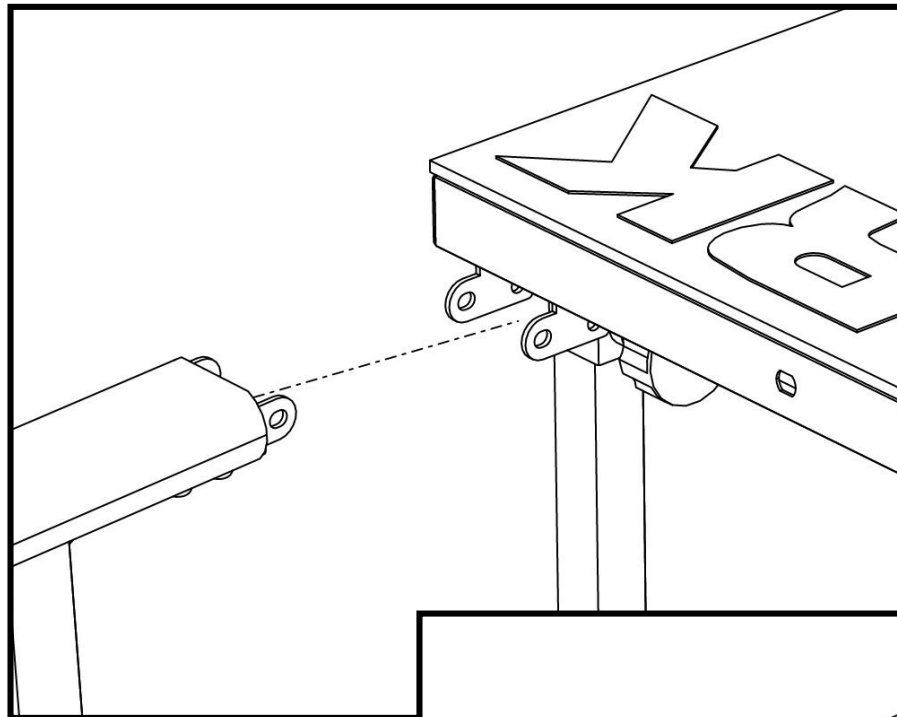
ALIGNING PIECES

STEP 4

Align the hinges together so the holes meet each other

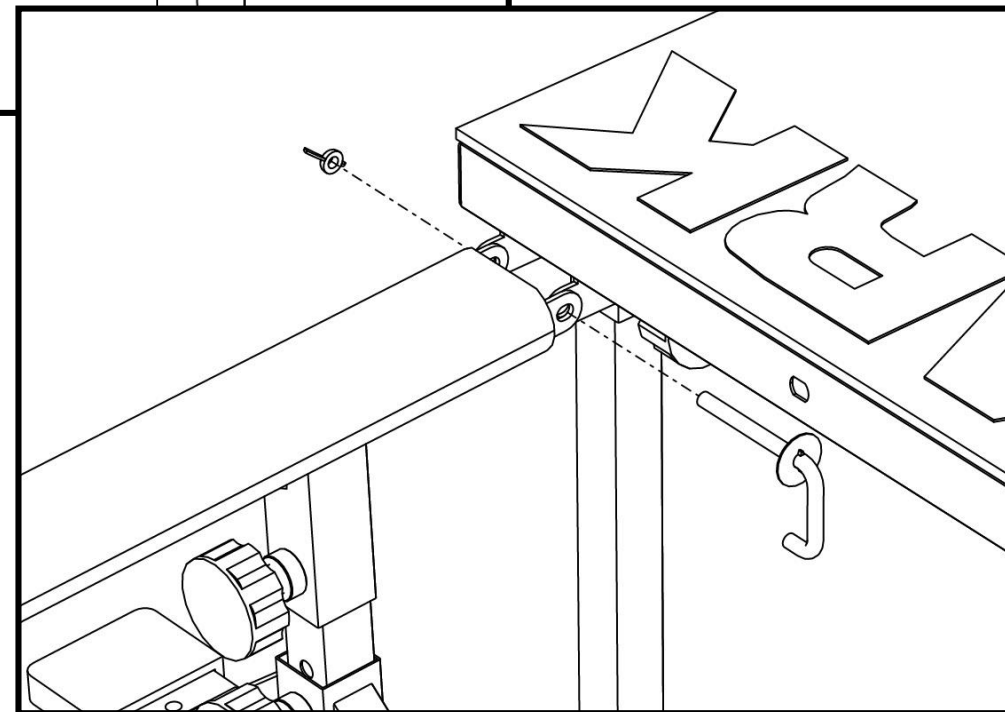
STEP 5

Place a big washer on a J-bolt and slide it through both hinges and follow it with a wing nut on the other side to tighten it to the funbox

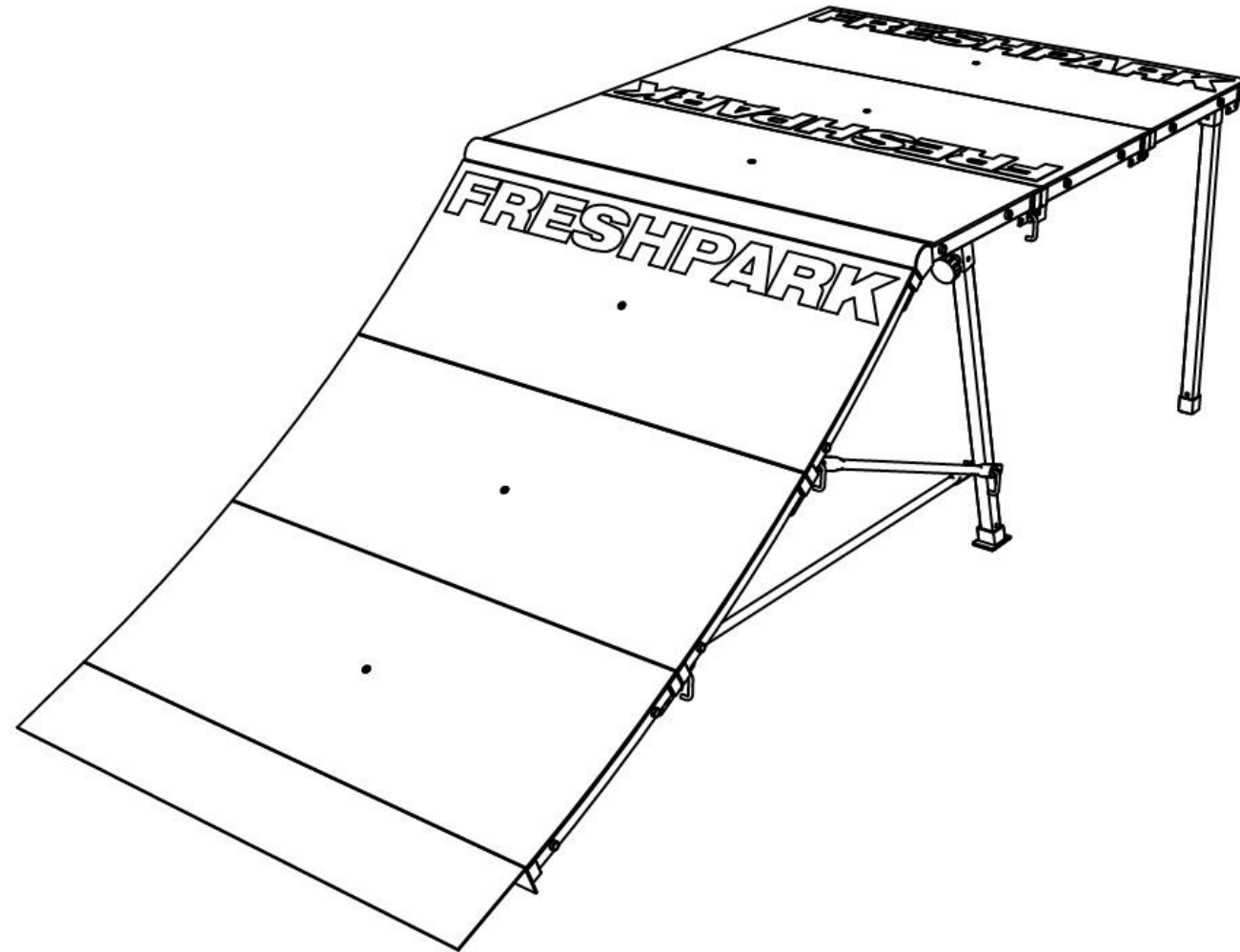


STEP 4

STEP 5



QUARTER PIPE FUNBOX EXTENSION

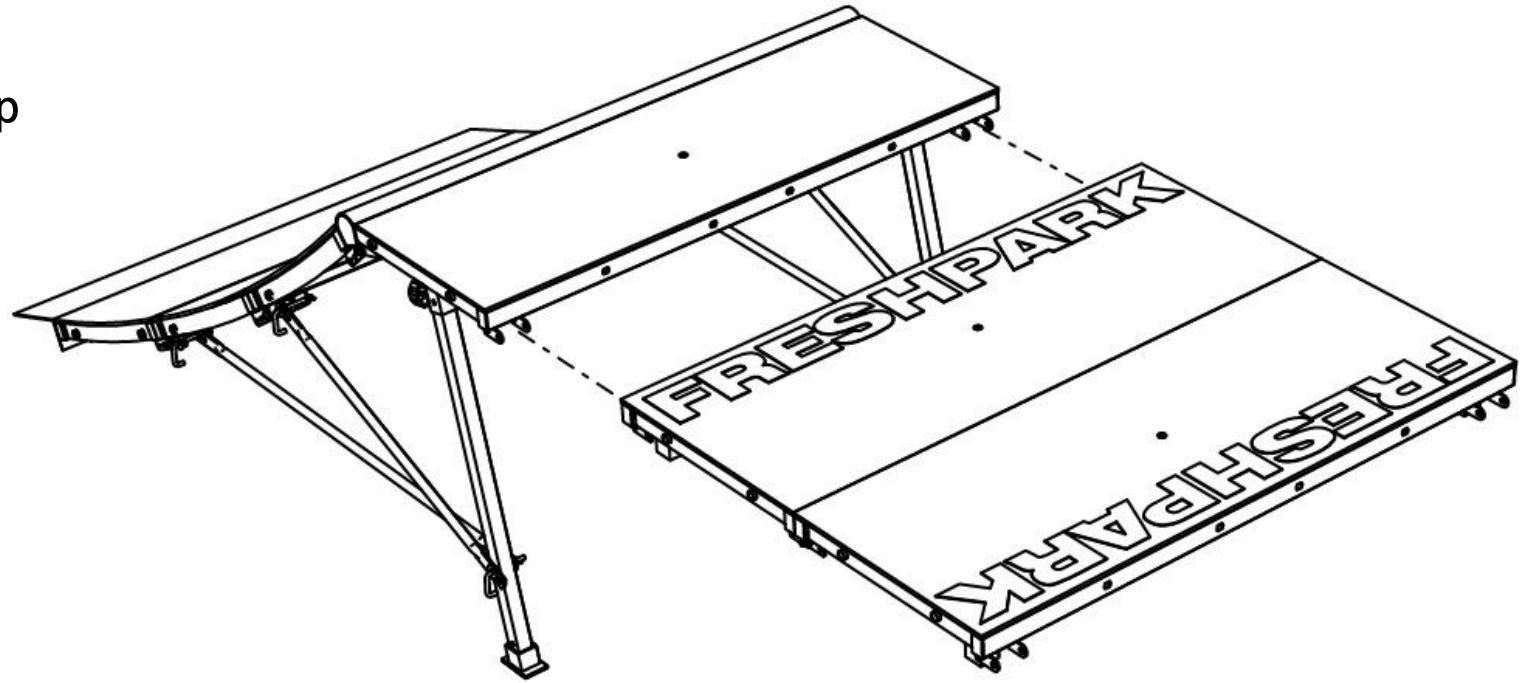


BOLTING HINGE

STEP 1

Align the hinges on the funbox with the hinges on the back of the quarter pipe

Align the hinges so the sides of the ramp are flush with each other

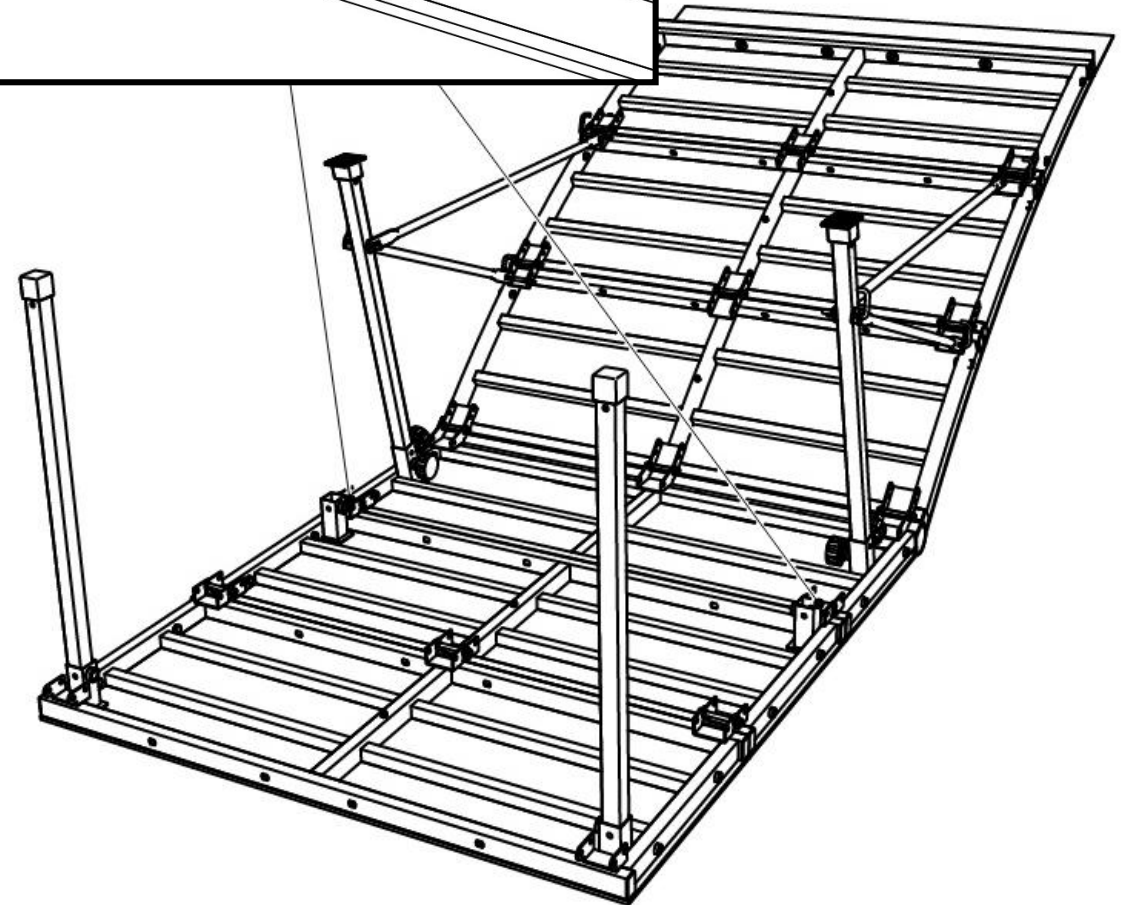
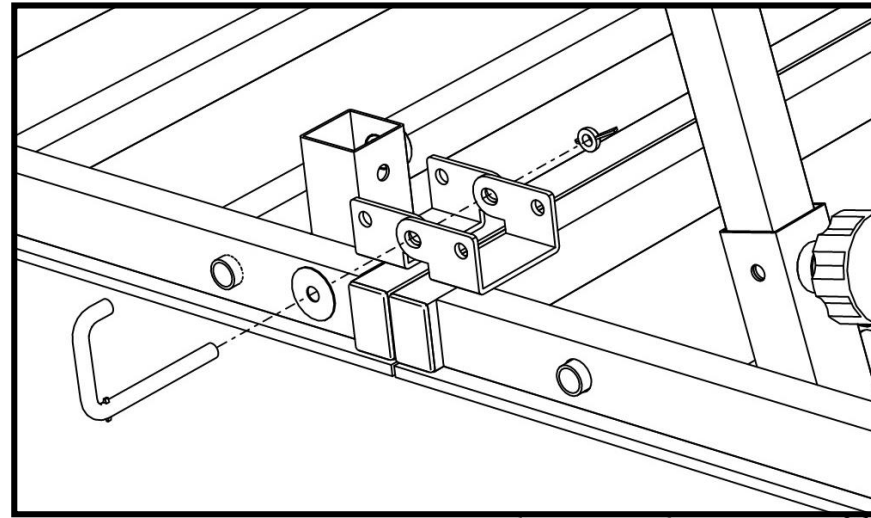


BOLTING HINGE

STEP 2

Bolt the ramps together using J-bolts on both hinges

Place a big washer on a J-bolt and slide it through both hinges and use a wing nut on the other side to tighten the ramps together

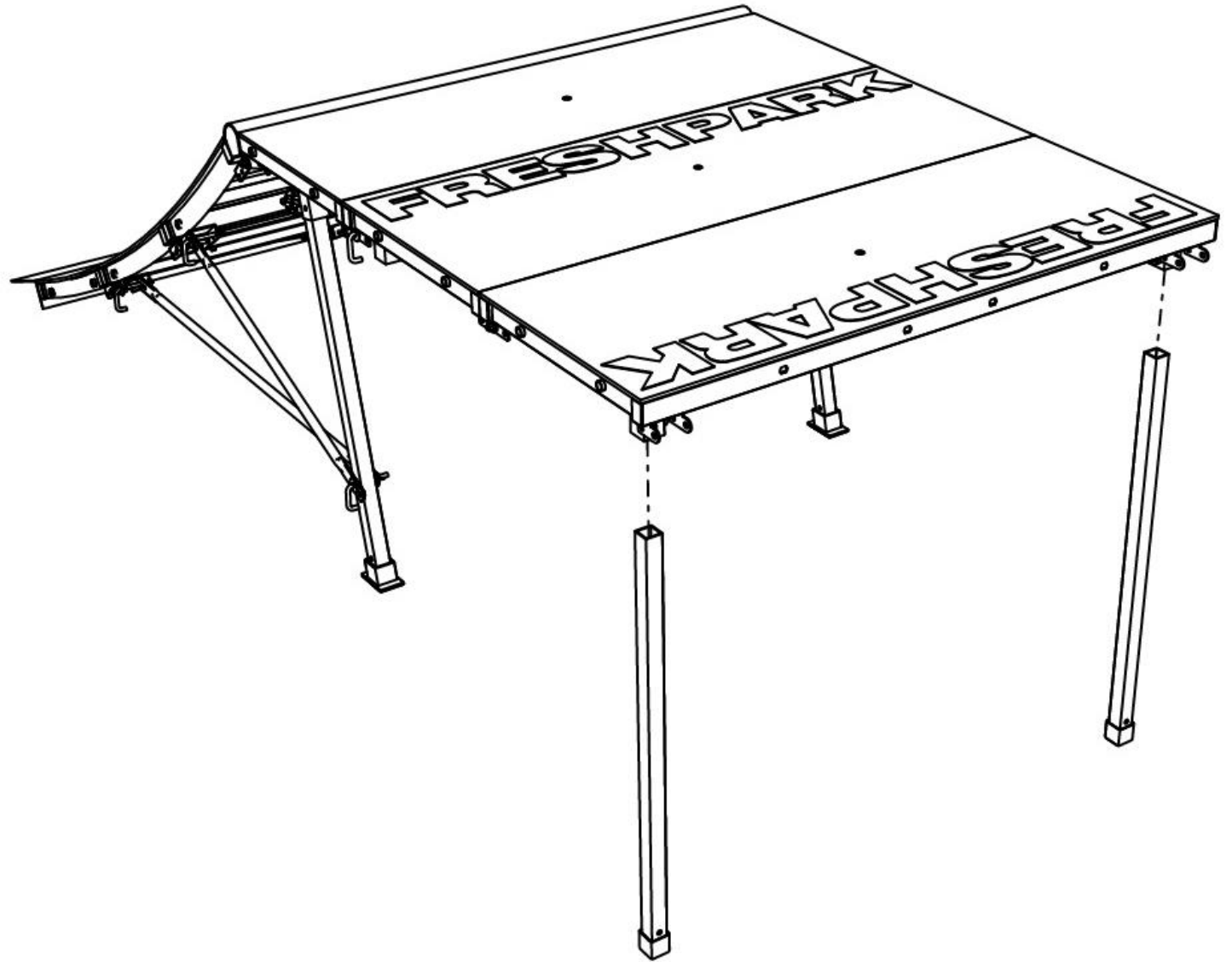


INSERTING LEGS

STEP 3

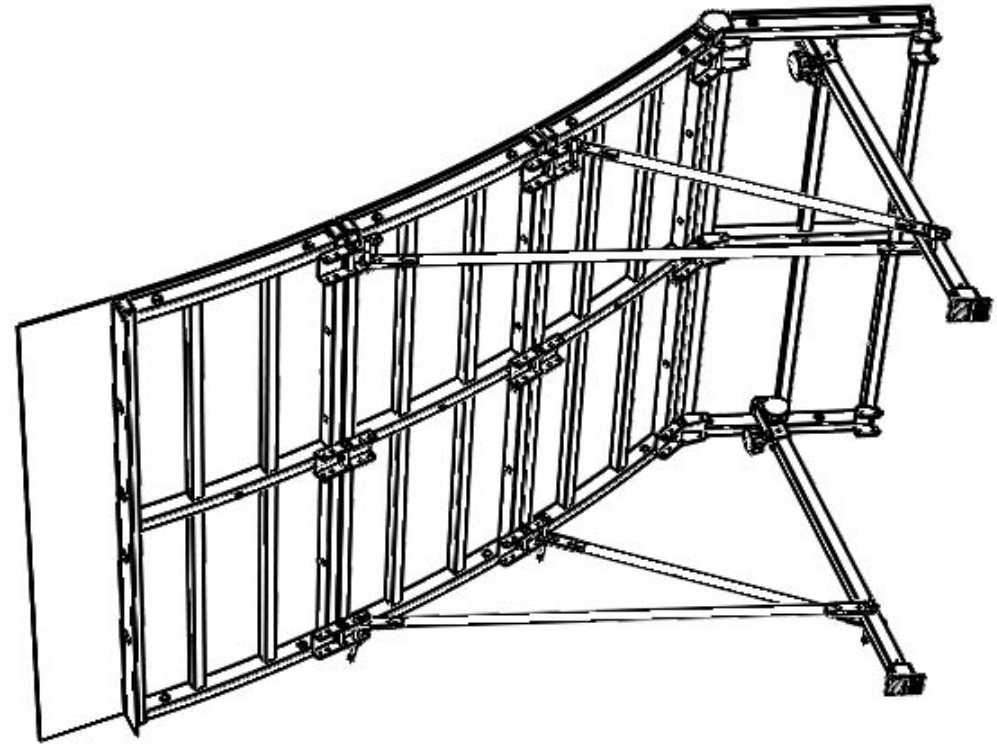
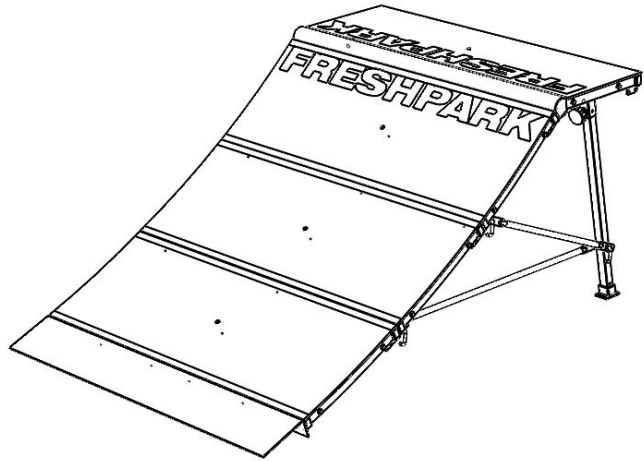
Insert the legs into the back receivers of the funbox

Use the knobs to screw into the receivers and tighten them into place



Folding **FRESHPARK** Ramps

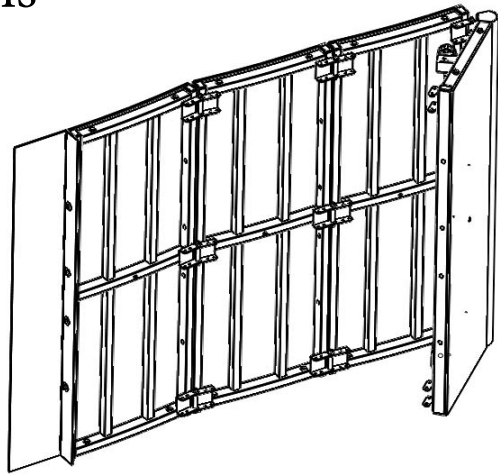
Step 1:
Lay the ramp onto its side (team
of 2 recommended)



Folding **FRESHPARK** Ramps

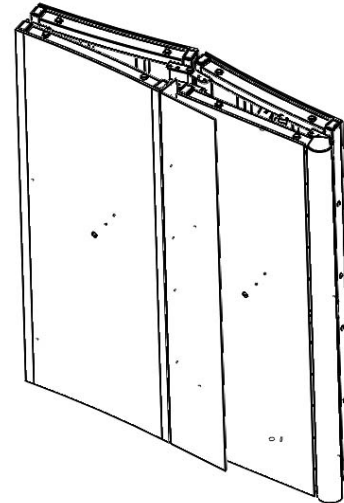
Step 2:

Remove all support bars and legs and carefully fold the panels



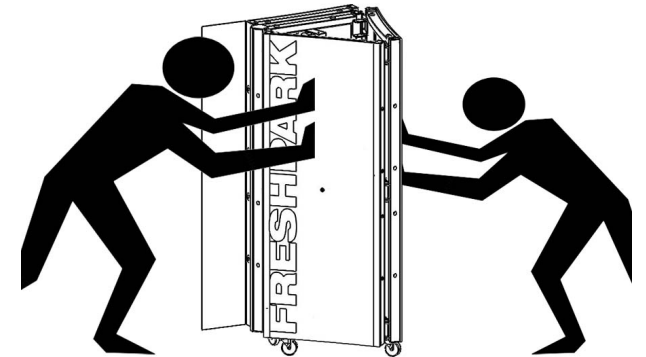
Step 3:

Fold into a desired configuration for easy storage



Warning

When transporting, never carry or push the ramp by yourself



Caution: To reduce the risk of injuries to hands and fingers, never insert your hands or fingers in between the panels or any folding joints.