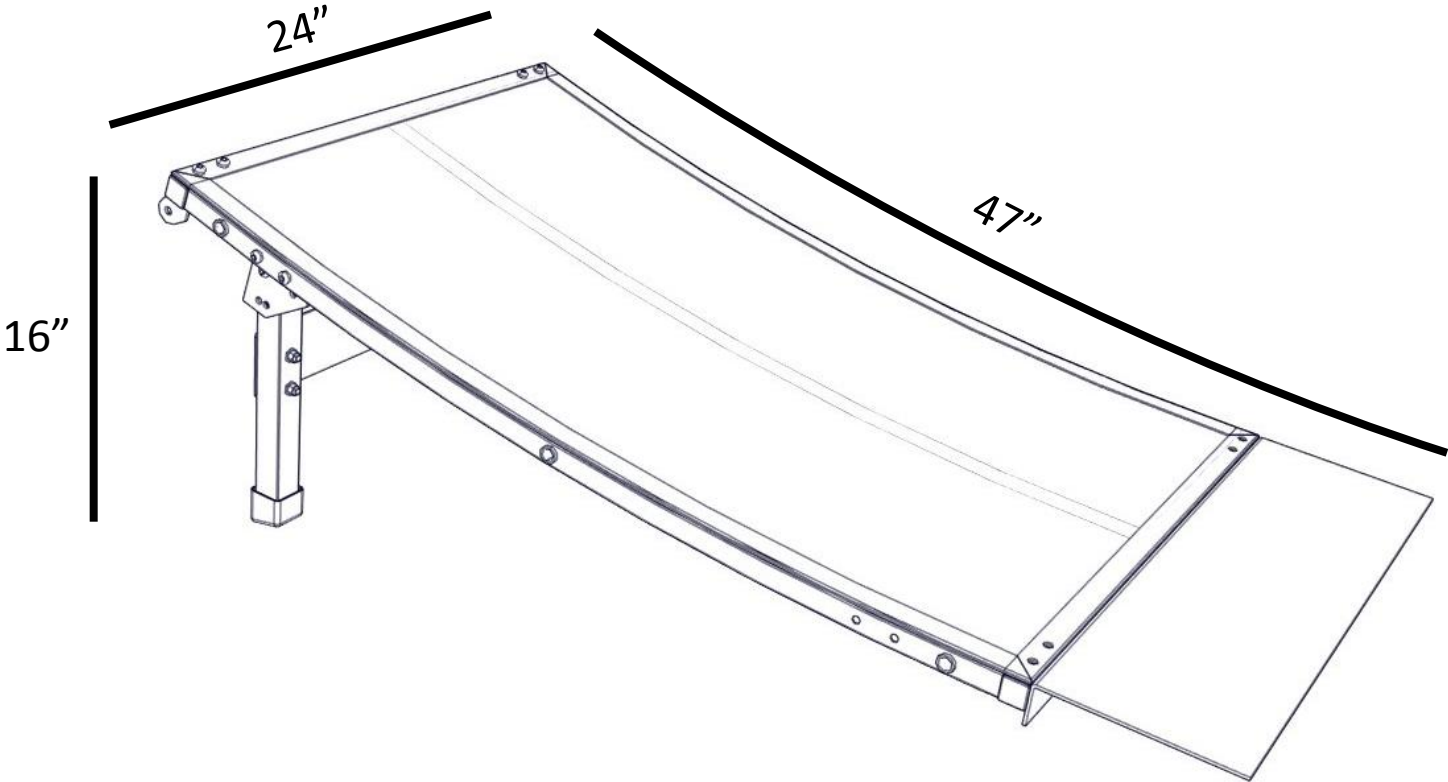


# CONTENTS PAGE

- 2 - Parts List
- 3 - BMX Jump
- 11 - BMX Roller



# PARTS LIST

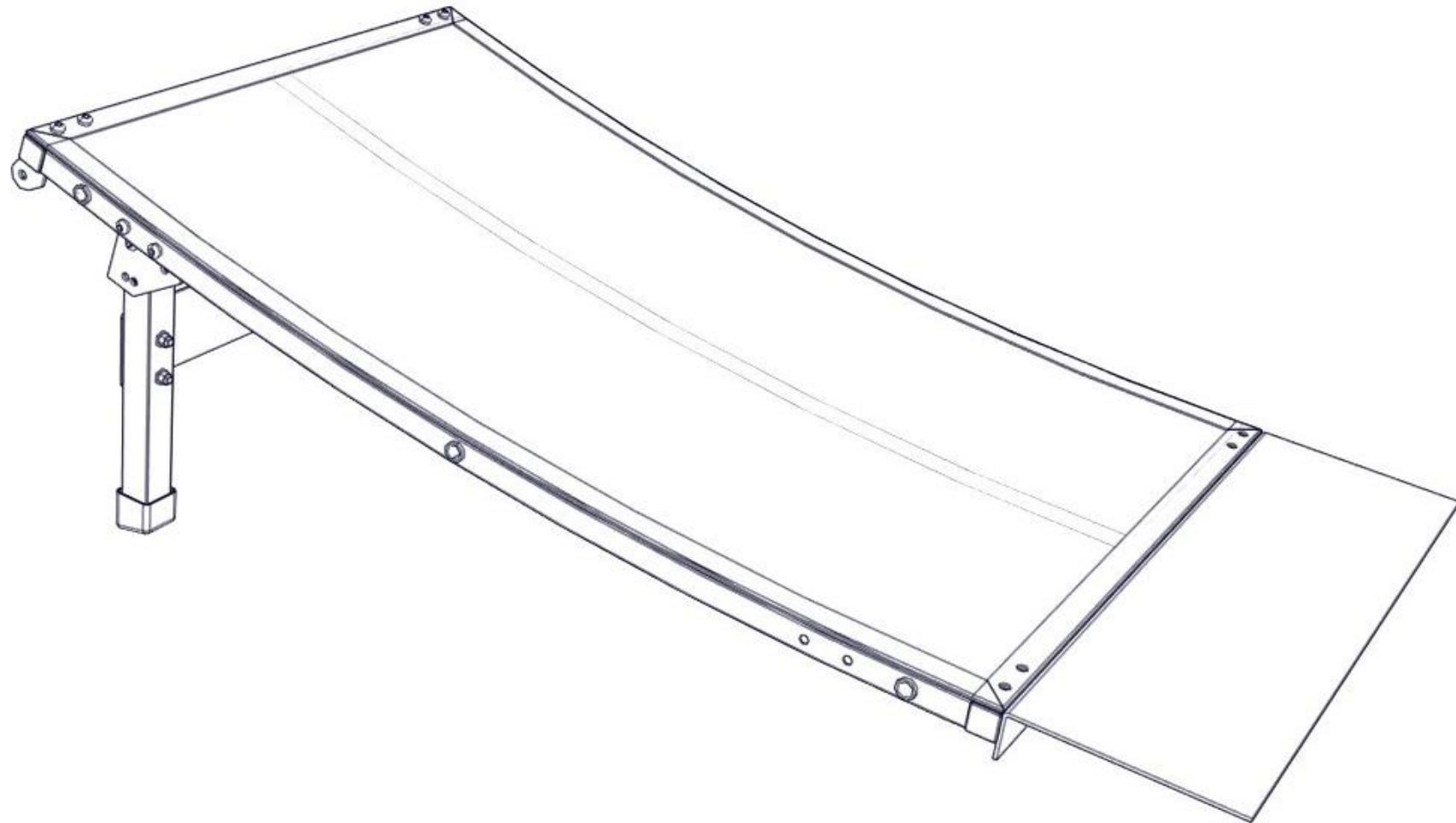
## BMX Jump

- 1 - Panel
- 1 - Toe piece
- 2 - Legs
- 2 - Rubber feet
- 1 - Support plate
- 2 - 3" bolts
- 20 - 2" bolts
- 44 - Small washers
- 22 - Lock nuts
- 2 - Leg plates
- 2 - Hinges

## BMX Roller

- 1 - Roller Panel
- 4 - J-bolts
- 8 - 2" bolts
- 16 - Small washers
- 4 - Big washers
- 4 - Wing nuts
- 8 - Lock nuts
- 4 - Hinges

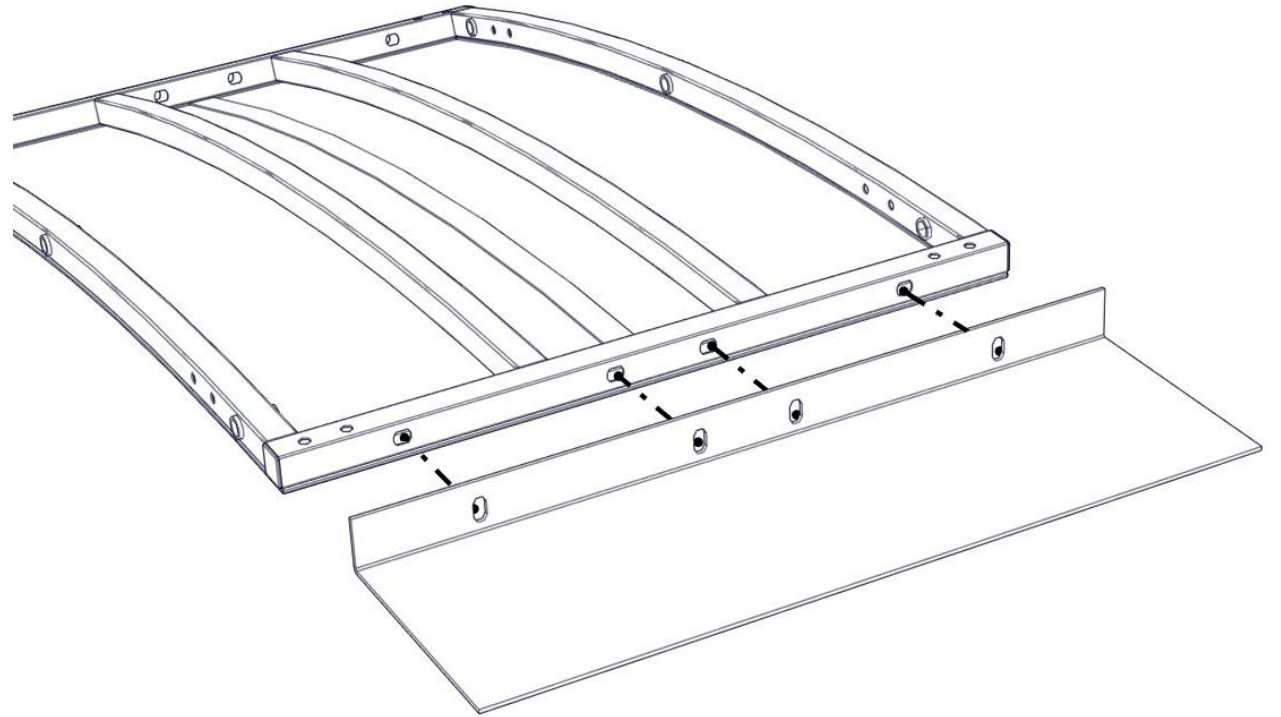
# BMX JUMP INSTRUCTIONS



# TOE PIECE

## STEP 1

Place the toe piece on one of the ends of the ramp aligning the holes in the toe piece with the holes on the ramp

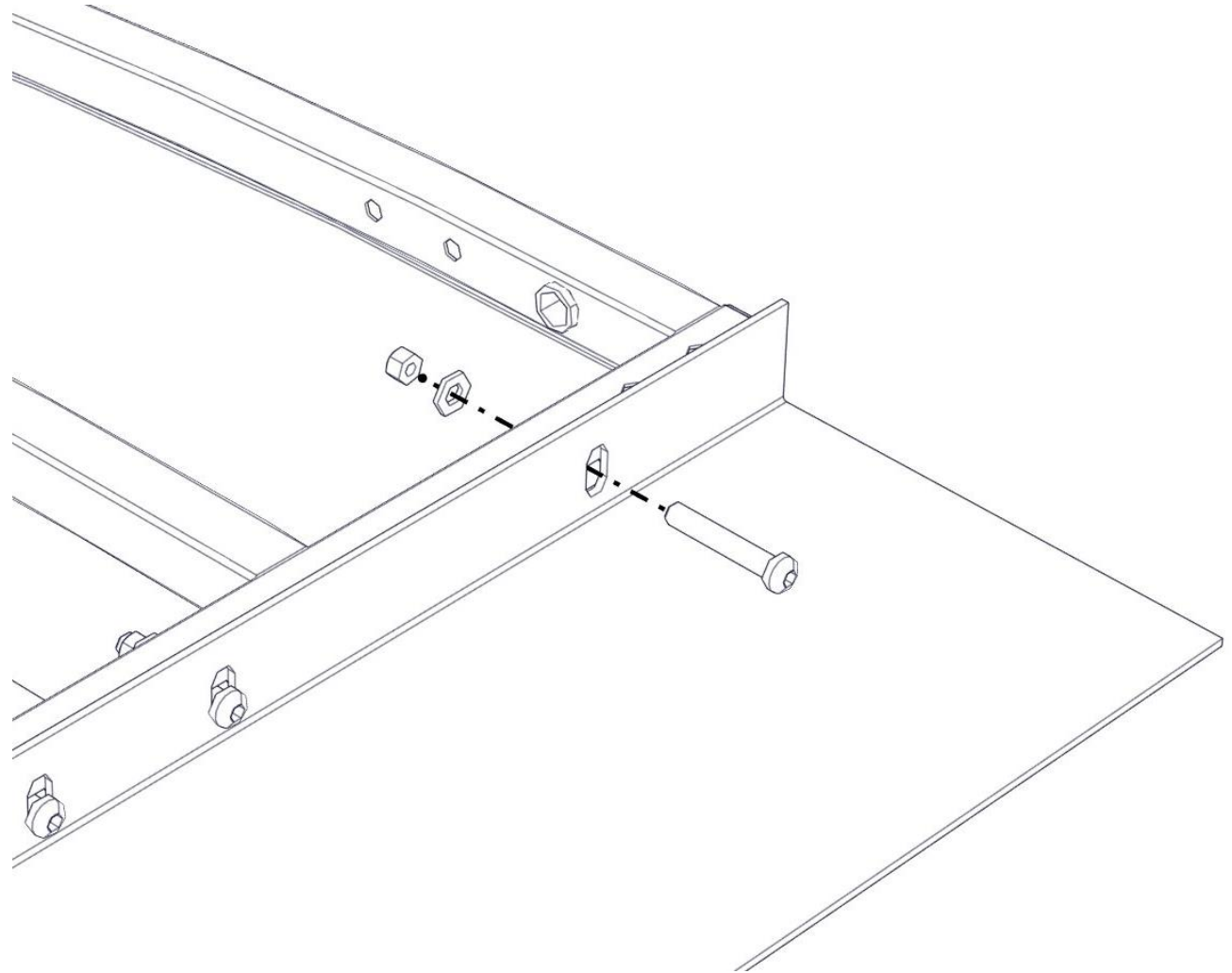


# BOLTING

## STEP 2

Place the bolts through the toe piece  
and the ramp

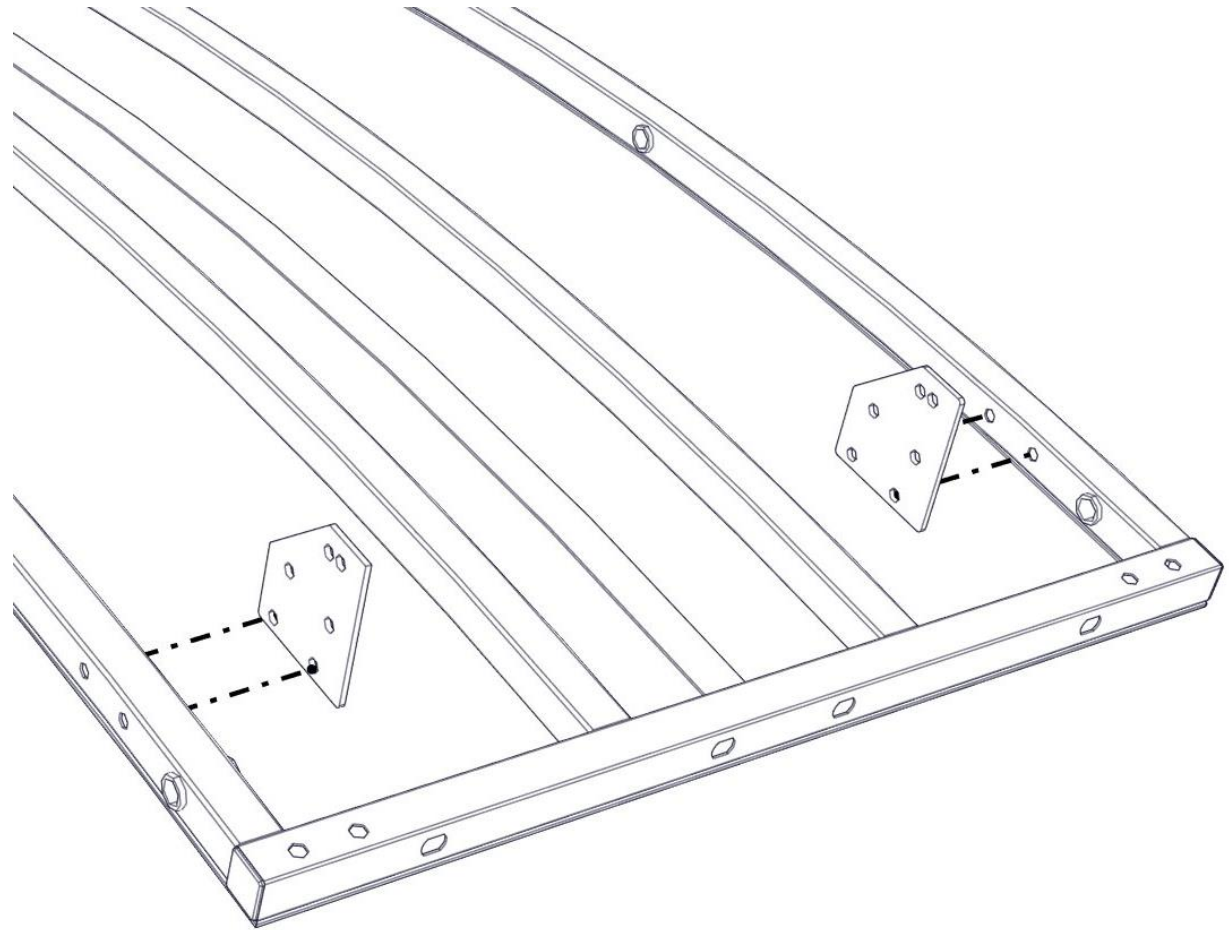
Then place a washer and then a nut and  
tighten them



# LEG PLATES

## STEP 3

Align the leg plates on the sides of the ramp with the holes at the ends of the ramp as shown

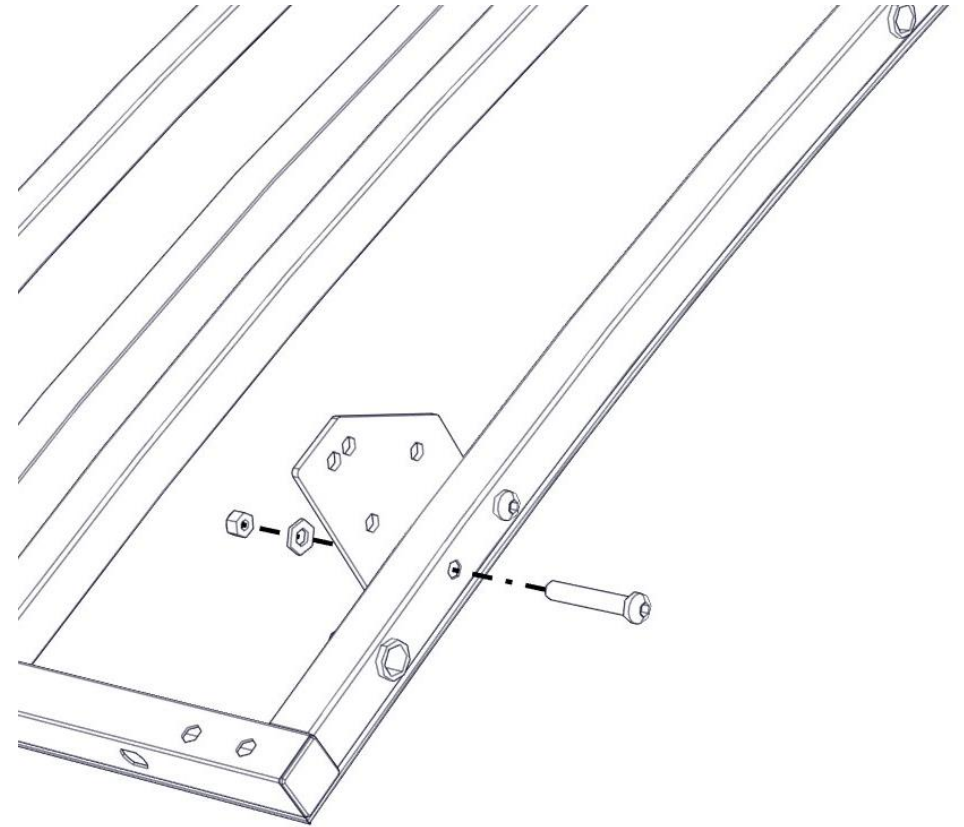


# LEG PLATES

## STEP 4

Secure the leg plates to the ramp by placing a bolt through the ramp and then the leg plate

Follow it by a washer and then a lock nut

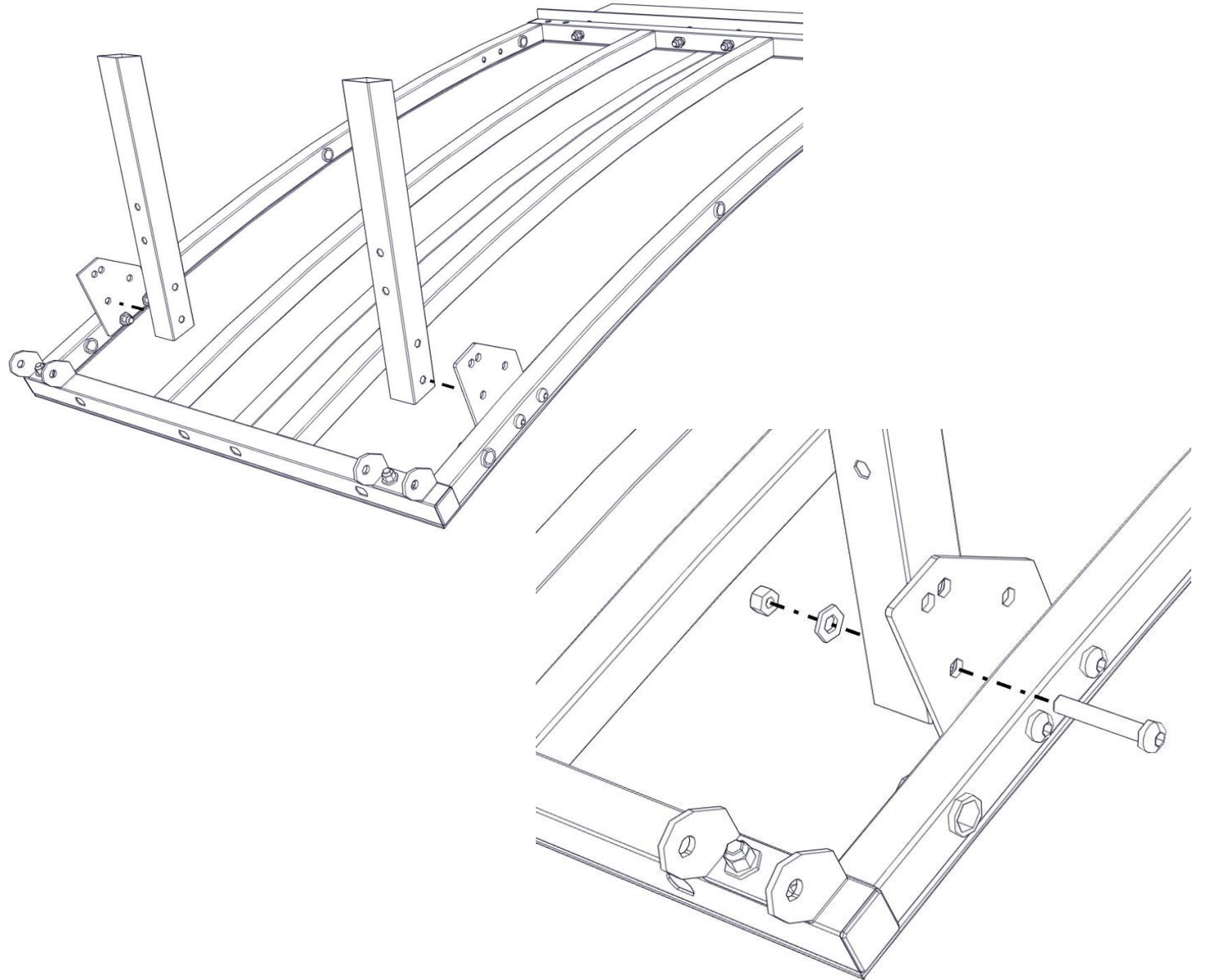


# BOLTING LEGS

## STEP 5

Secure the legs to the ramp by placing a bolt through the ramp and then the leg

Follow it by a washer and then a lock nut





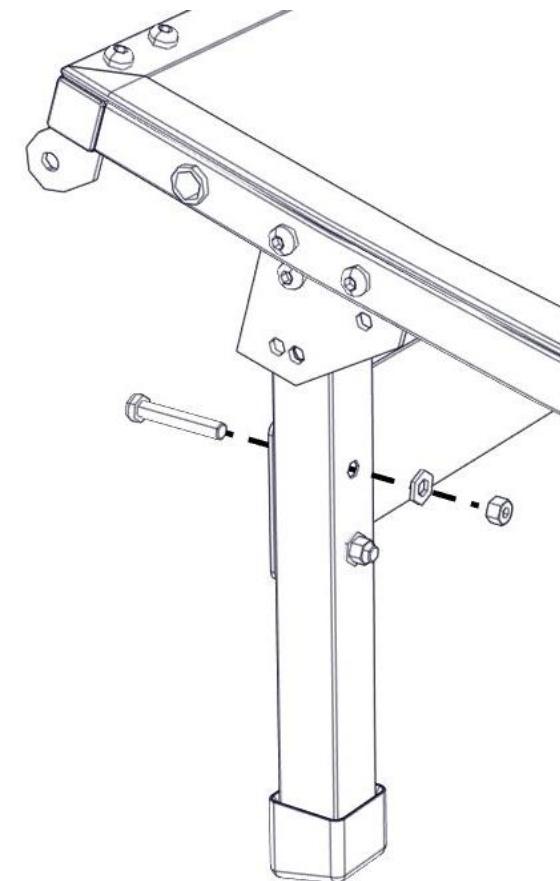
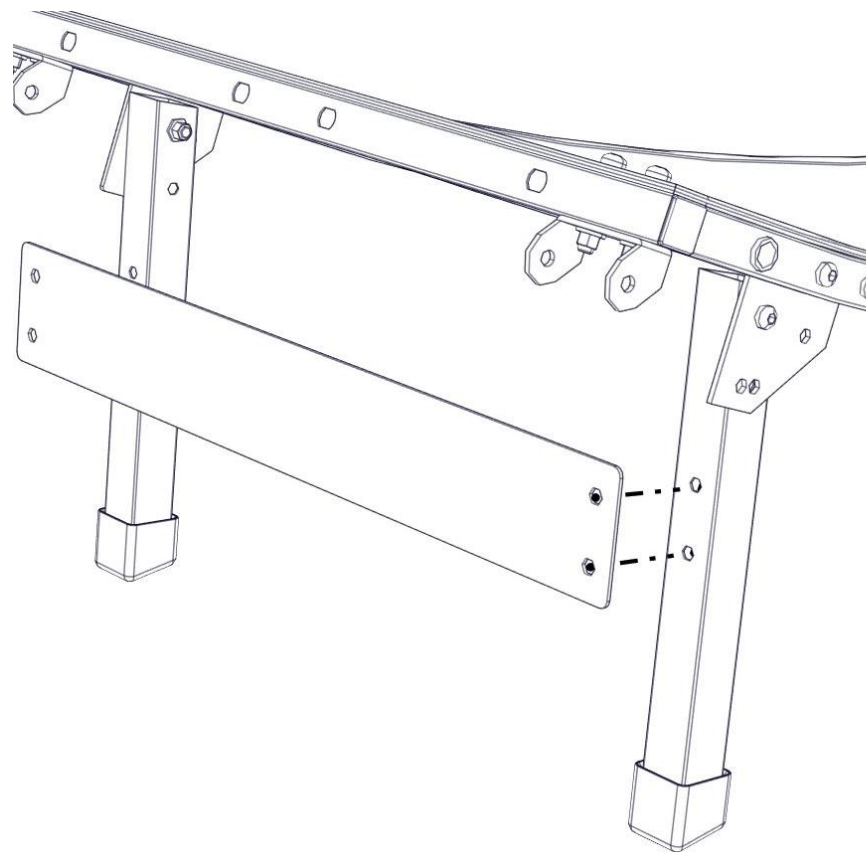
# BOLTING LEGS

## STEP 6

To make the legs stronger use the leg support bracket and bolt it using the holes in the legs as shown

Secure the legs to the plate by placing a bolt through the ramp and then the leg

Follow it by a washer and then a lock nut

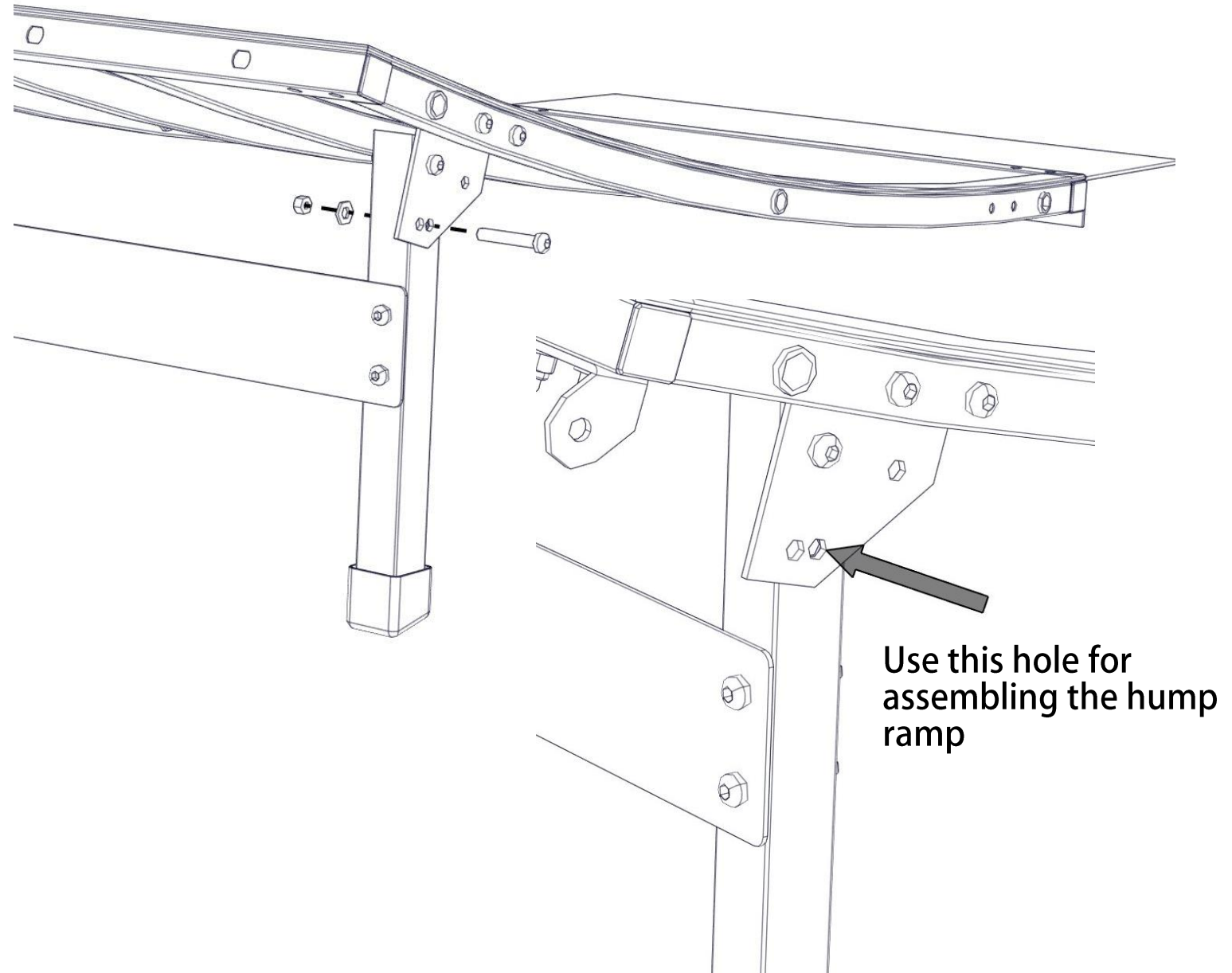


# BOLTING LEGS

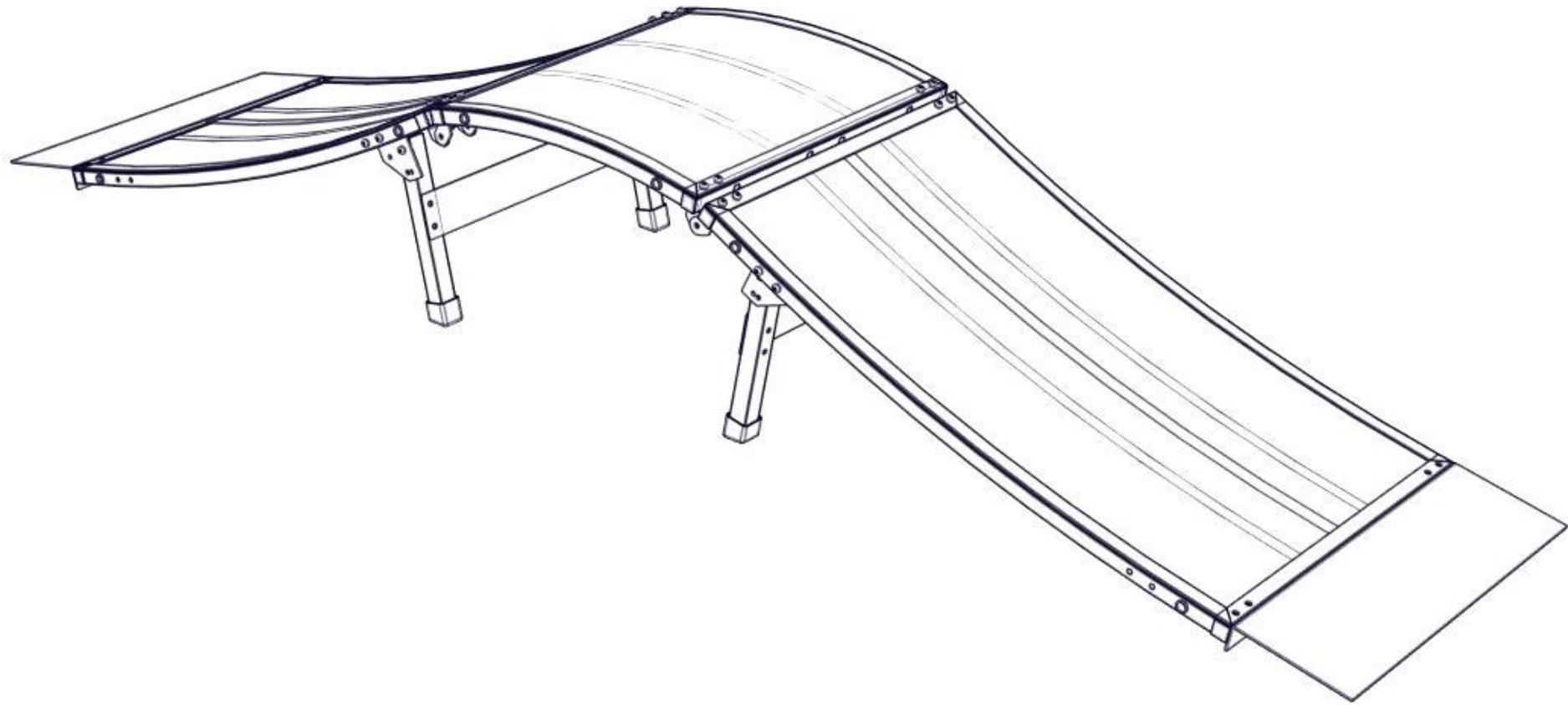
## STEP 7

Secure the leg in the desired setting on the plate by placing a bolt through the plate and then the leg

Follow it by a washer and then a lock nut



# BMX ROLLER INSTRUCTIONS

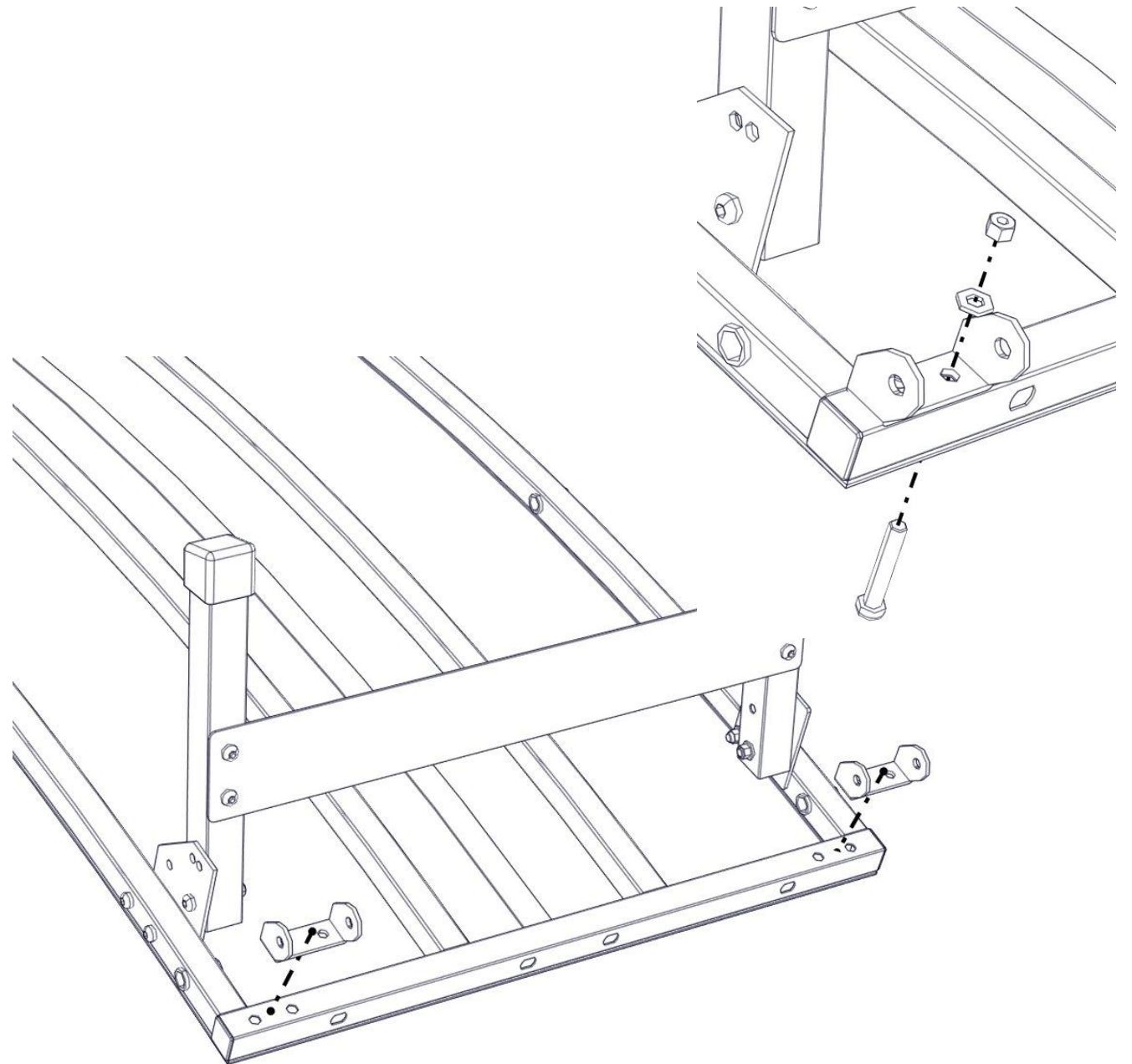


# HINGES

## STEP 1

Place the hinges on the ends of the ramp and hump where the 2 holes are

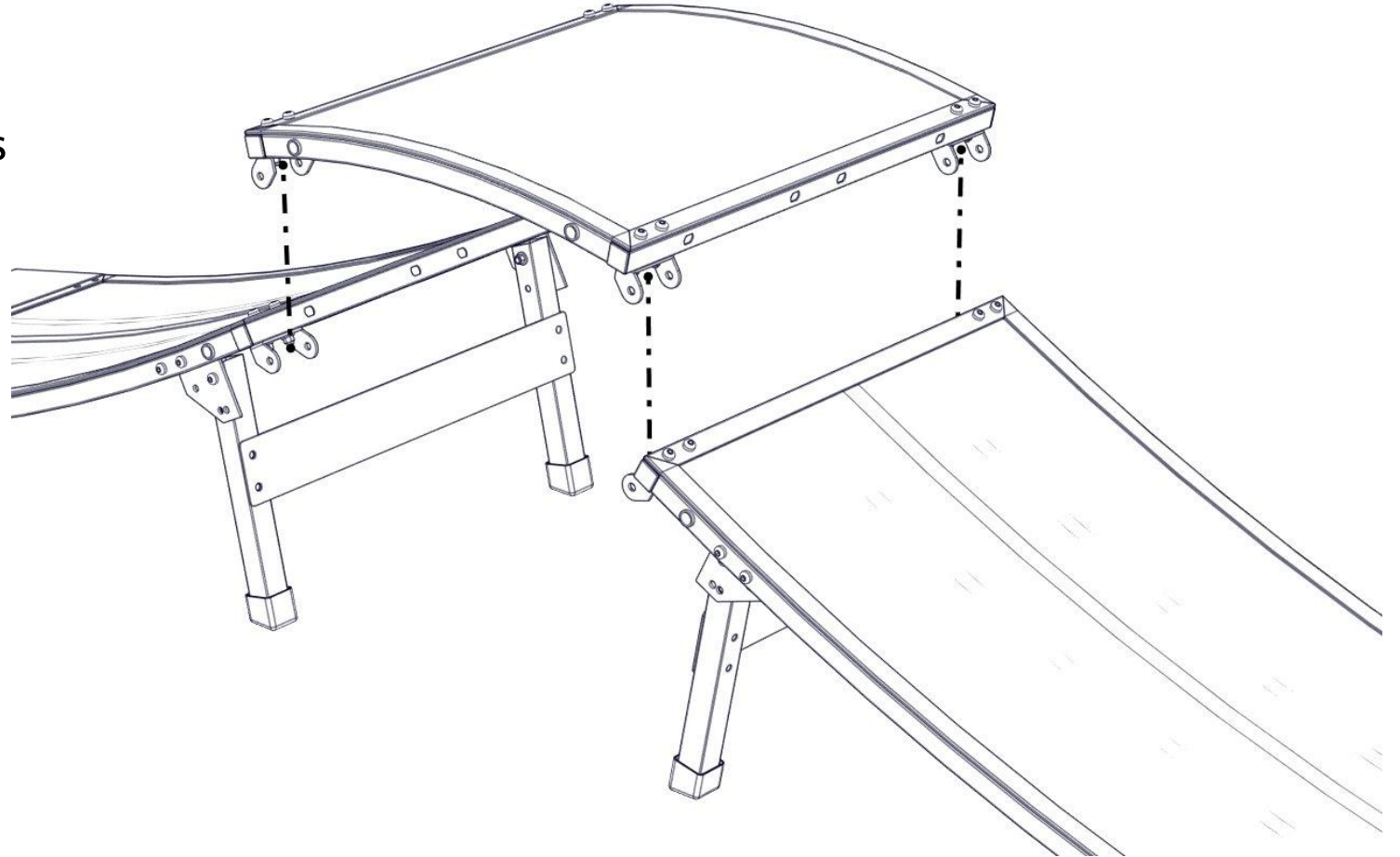
Align the holes in the hinge with the tabs facing outward as shown



# HINGES

## STEP 2

Connect the hump ramp with the ramps  
by the hinges



# HINGES

## STEP 3

Connect the hump ramp by placing a long bolt through the hinges and following it with a washer and lock nut

